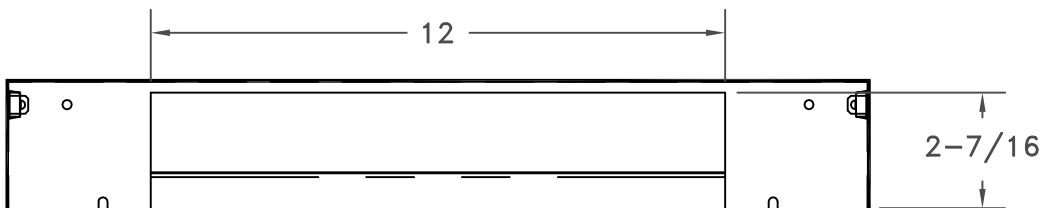
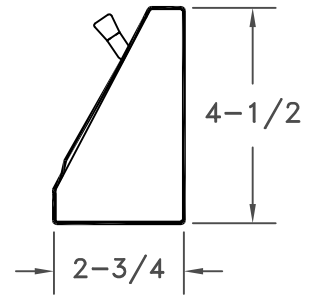
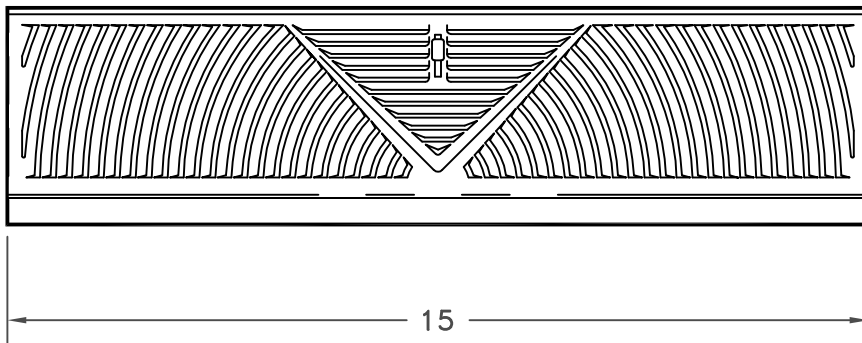


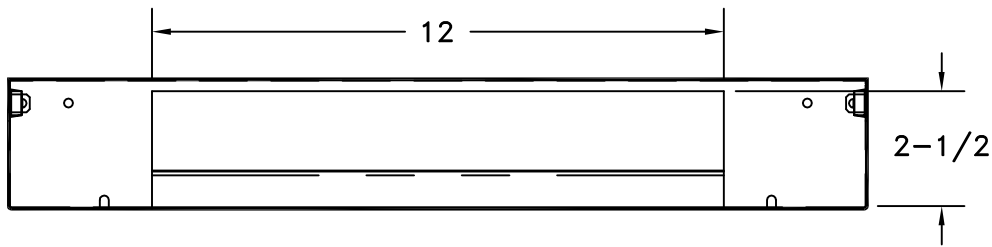
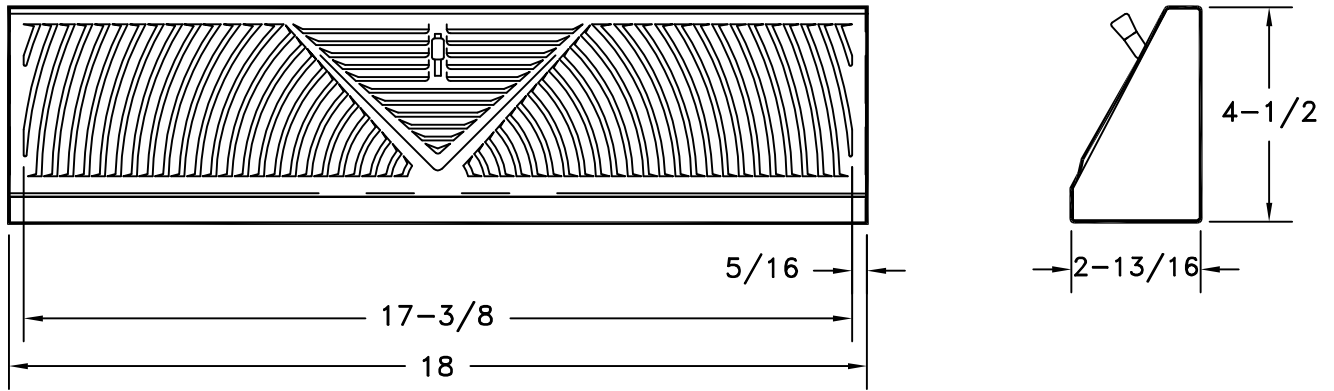
- ALL STEEL CONSTRUCTION
- DESIGNED TO BLANKET WALLS AND WINDOWS FROM BASEBOARD INSTALLATIONS
- 31 SQUARE INCHES OF FREE AREA
- REMOVABLE FACE FOR EASE OF INSTALLATION
- FINISH: WHITE (W)



BOTTOM VIEW

JOB NAME: _____	SUBMITTED BY: _____	DATE: 08/13/2013	SD-2009
LOCATION: _____		<b>406 15</b> Baseboard Diffuser - 15"	
ARCHITECT: _____			
ENGINEER: _____			
CONTRACTOR: _____			

- ALL STEEL CONSTRUCTION
- DESIGNED TO BLANKET WALLS AND WINDOWS FROM BASEBOARD INSTALLATIONS
- 38 SQUARE INCHES OF FREE AREA
- SNAP IN FACE FOR EASE OF INSTALLATION
- FINISH: WHITE (W) OR GOLDEN SAND (GS) ENAMEL



BOTTOM VIEW

JOB NAME: _____	SUBMITTED BY: _____	DATE: 08/13/2013	SD-2010
LOCATION: _____		<b>406</b> Baseboard Diffuser - 18"	
ARCHITECT: _____			
ENGINEER: _____			
CONTRACTOR: _____			