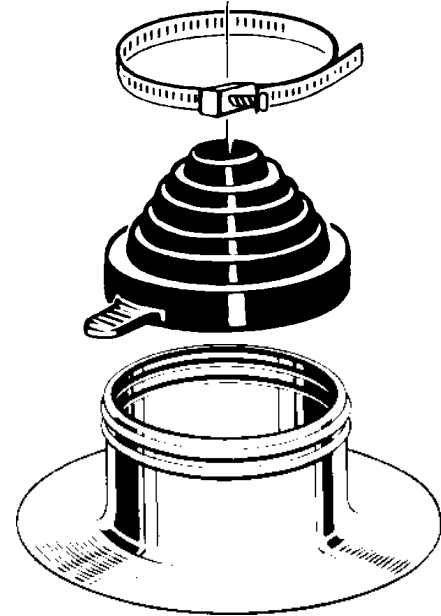




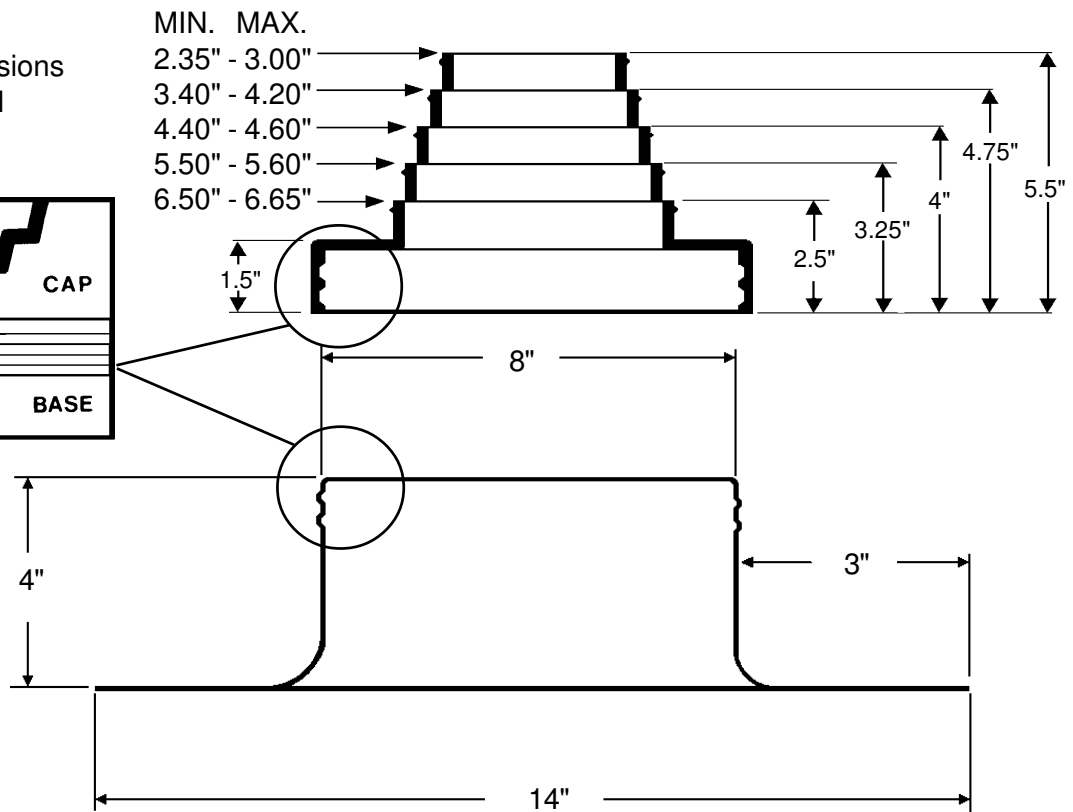
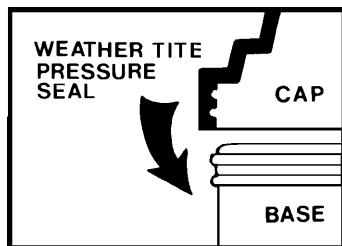
## Alumi-Flash Standard with C-126 Cap

### SPECIFICATION

Furnish and install the Portals Plus Standard Alumi-Flash as manufactured by Portals Plus, Inc., Bensenville, IL, at all points where one penetration 2" - 6" in diameter penetrates the roof. The Standard Alumi-Flash shall include a .060" spun aluminum base unit with a height of 4" and a base diameter of 14". The 8" collared opening shall have two beaded sealing rings roll formed into the top edge. An EPDM (Ethylene Propylene Diene Monomer) compression molded cap model C-126 shall be utilized. The Cap shall include Portals Plus' stainless steel Snaplock Clamp. Attachment and installation of the Standard Alumi-Flash shall be done in accordance with Portals Plus' instructions and the roofing membrane manufacturer's recommendations.



NOTE: All dimensions are I.D. of conical shaped nipples

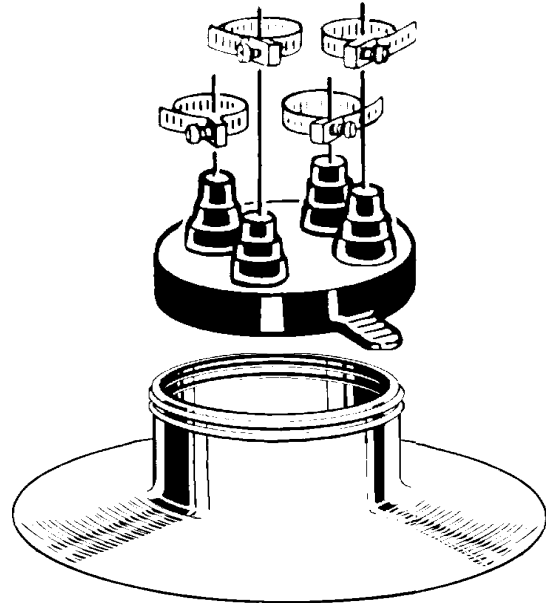




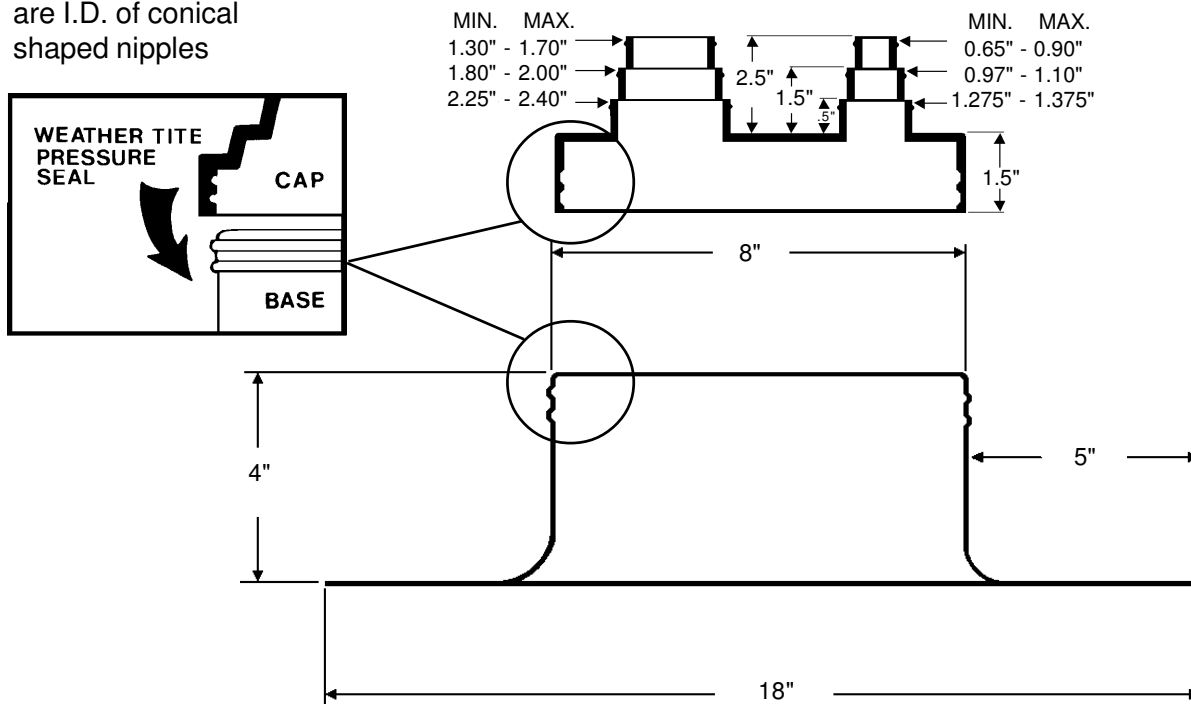
## Alumi-Flash Extra Wide (EW) with C- 212 Cap

### SPECIFICATION

Furnish and install the Portals Plus Extra Wide Alumi-Flash as manufactured by Portals Plus, Inc., Bensenville, IL, at all points where up to two pipes .375" - 1" in diameter and up to two pipes 1" - 2" in diameter penetrate the roof. The Extra Wide Alumi-Flash shall include a .060" spun aluminum base unit with a height of 4" and a base diameter of 18". The 8" collared opening shall have two beaded sealing rings roll formed into the top edge. An EPDM (Ethylene Propylene Diene Monomer) compression molded cap model C-212 shall be utilized. All Caps shall include Portals Plus' stainless steel Snaplock Clamps. Attachment and installation of the Extra Wide Alumi-Flash shall be done in accordance with Portals Plus' instructions and the roofing membrane manufacturer's recommendations.



NOTE: All dimensions are I.D. of conical shaped nipples

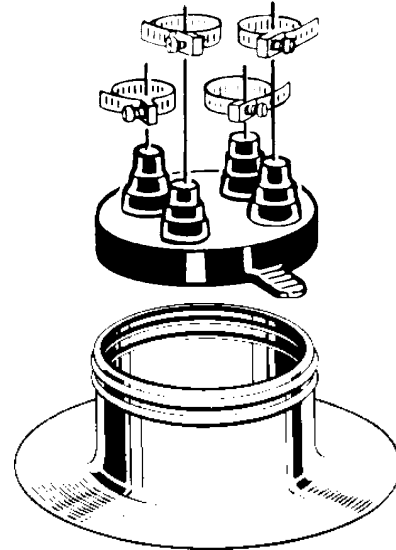




## Alumi-Flash Standard with C-481 Cap

### SPECIFICATION

Furnish and install the Portals Plus Standard Alumi-Flash as manufactured by Portals Plus, Inc., Bensenville, IL, at all points where up to four pipes .375" - 1" in diameter penetrate the roof. The Standard Alumi-Flash shall include a .060 spun aluminum base unit with a height of 4" and a base diameter of 14". The 8" collared opening shall have two beaded sealing rings roll formed into the top edge. An EPDM (Ethylene Propylene Diene Monomer) compression molded cap model C-481 shall be utilized. All Caps shall include Portals Plus' stainless steel Snaplock Clamps. Attachment and installation of the Standard Alumi-Flash shall be done in accordance with Portals Plus' instructions and the roofing membrane manufacturer's recommendations.



NOTE: All dimensions are I.D. of conical shaped nipples

