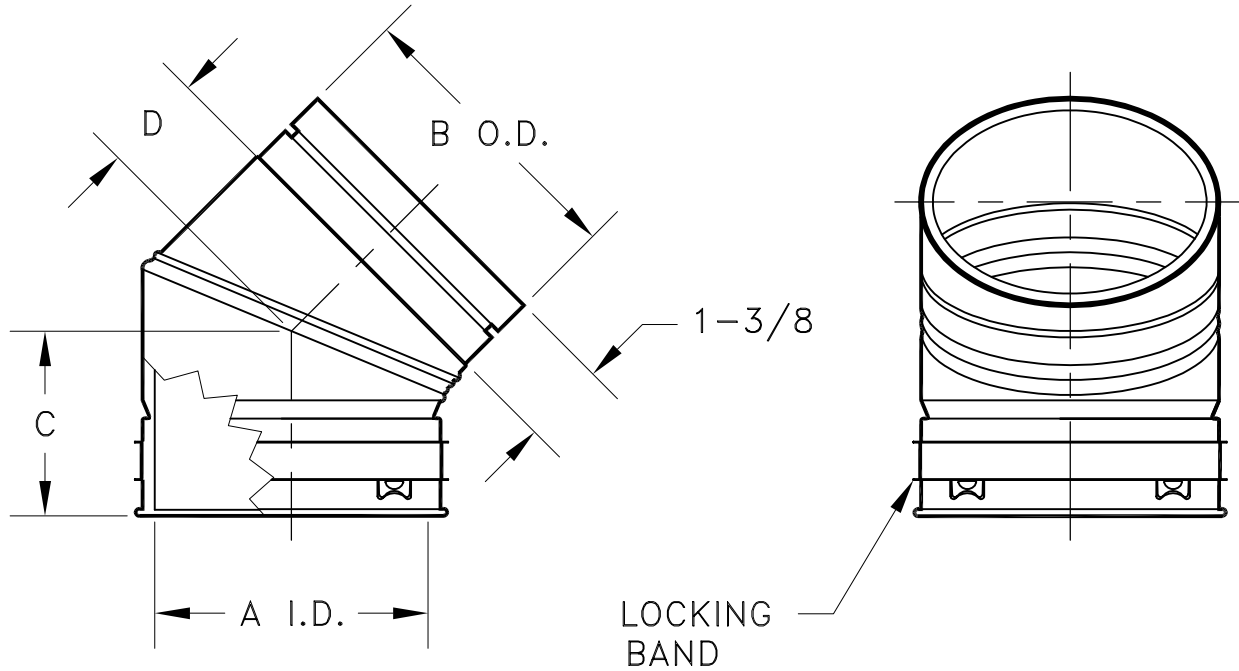


- MATERIAL:
 OUTER - .018 THICK, G-90 GALVANIZED STEEL
 INNER - .016 THICK, ALUMINUM



CAT. NO.	A I.D.	B O.D.	C	D
3REA45	3	3-1/2	3-1/2	1-3/4
4REA45	4	4-1/2	3-5/8	1-7/8
5REA45	5	5-1/2	3-7/8	2-1/8
6REA45	6	6-1/2	4-1/8	2-1/4
7REA45	7	8	4-3/8	2-5/8
8REA45	8	9	4-5/8	2-7/8
10REA45	10	11	5	3-1/4
12REA45	12	13	5-1/2	3-3/4



JOB NAME: _____	SUBMITTED BY: _____	DATE: 2/1/99	SD-3105
LOCATION: _____		Type B Gas Vent 45° Adjustable Elbow REA45 3" - 12" Diameter	
ARCHITECT: _____			
ENGINEER: _____			
CONTRACTOR: _____			