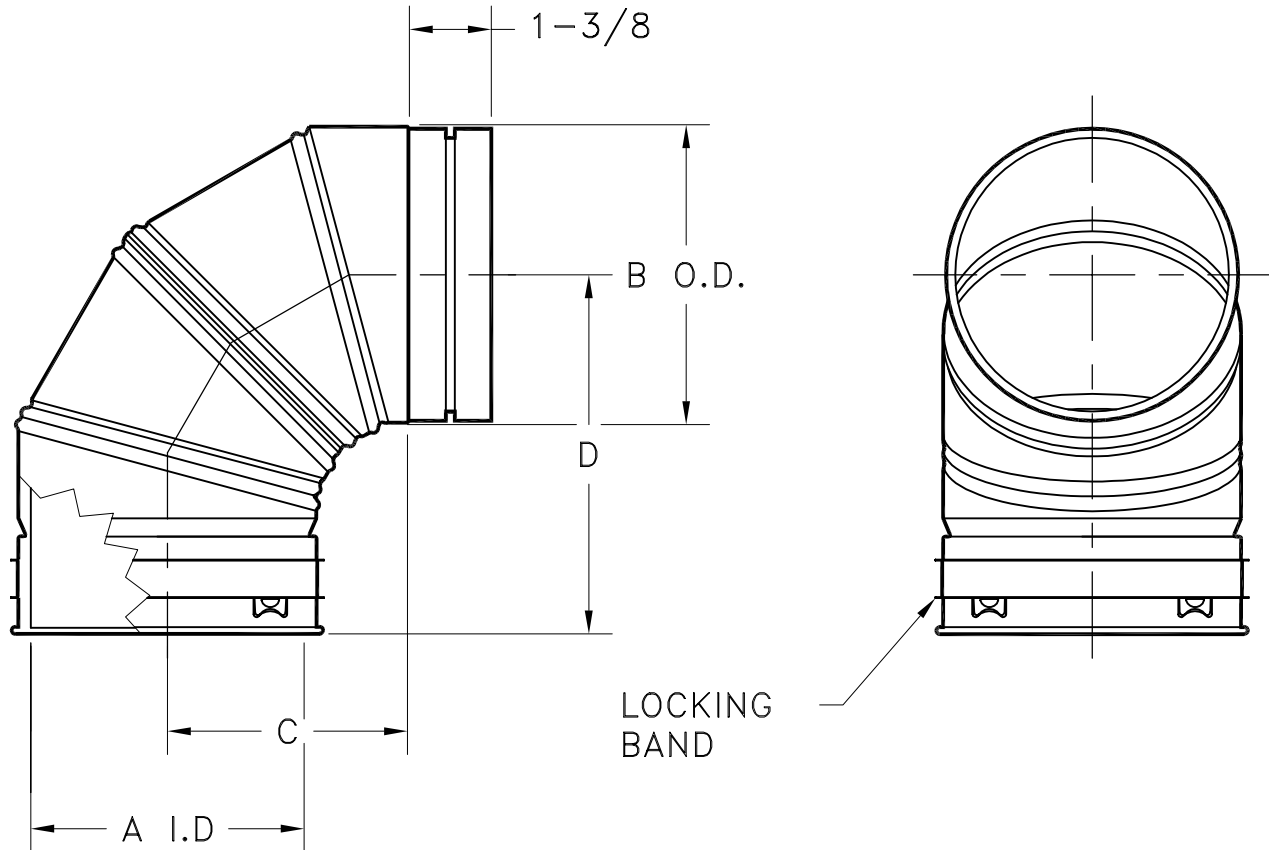


- MATERIAL:  
 OUTER - .018 THICK, G-90 GALVANIZED STEEL  
 INNER - .012 THICK, ALUMINUM



CAT. NO.	A I.D.	B O.D.	C	D
3REA90	3	3-1/2	3-3/4	5-1/2
4REA90	4	4-1/2	4-1/4	6
5REA90	5	5-1/2	4-3/4	6-1/2
6REA90	6	6-1/2	5-1/4	7
7REA90	7	8	6	7-3/4
8REA90	8	9	6-1/2	8-1/4



JOB NAME: _____	SUBMITTED BY: _____	DATE: 2/1/99	SD-3104
LOCATION: _____		<b>Type B Gas Vent</b> 90° Adjustable Elbow REA90 3" - 8" Diameter	
ARCHITECT: _____			
ENGINEER: _____			
CONTRACTOR: _____			