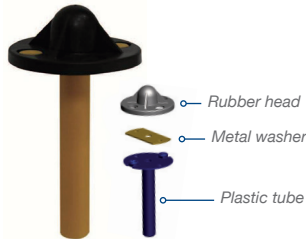


METAL DECK INSERT KIT

Metal Deck Insert:



Cable with crimped Swivel Toggle



Gripple Fastener, Standard:

(Can be used with any No.2 or No.3 Gripple Fastener: Standard, Trapeze, Duct Trapeze, etc.)



Sizes: No.2 and No.3

Max. Safe Working Loads:

Metal Deck Insert - 200 lbs
Cable Hanger - 100 lbs (No.2) to 200 lbs (No.3)

PRODUCT INFORMATION

FUNCTION - A pre-insert solution for metal decks to suspend mechanical and electrical services. NOT suitable for use in chlorinated / swimming pool environments.

APPLICATION - Specifically designed for pre-inserting into metal decks prior to the concrete being poured. Also suitable for non-concrete pour applications. Recommended drill size: 5/8".

LOAD RATING - Accommodates up to 200 lb. SWL with a 5:1 safety factor.

MATERIAL SPECIFICATION -

Metal Deck Insert - Rubber Head: EPDM 85+-5 Shore A Black; Finish - As Moulded

Plastic Tube: Polypropylene; Finish - As Moulded

Metal Washer: CR4 Steel; Finish: BS EN12329:2000 FE//ZN5//A

Gripple Fastener: Housing Type ZA2 Zinc

Wedge Sintered steel hardened to min. 56 Rockwell C

Spring Stainless Steel (Type 302)

End Cap UV stabilized homopolymer polypropylene

Cable:

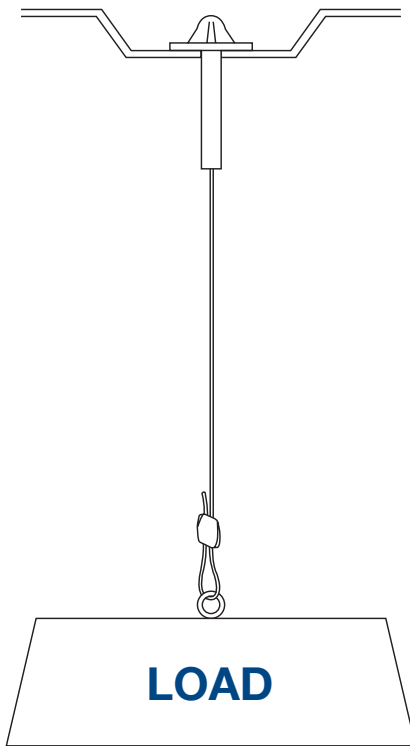
Galvanized high tensile steel cable to EN12385.

Standard lengths from 5ft-30ft, other lengths can be made to order.

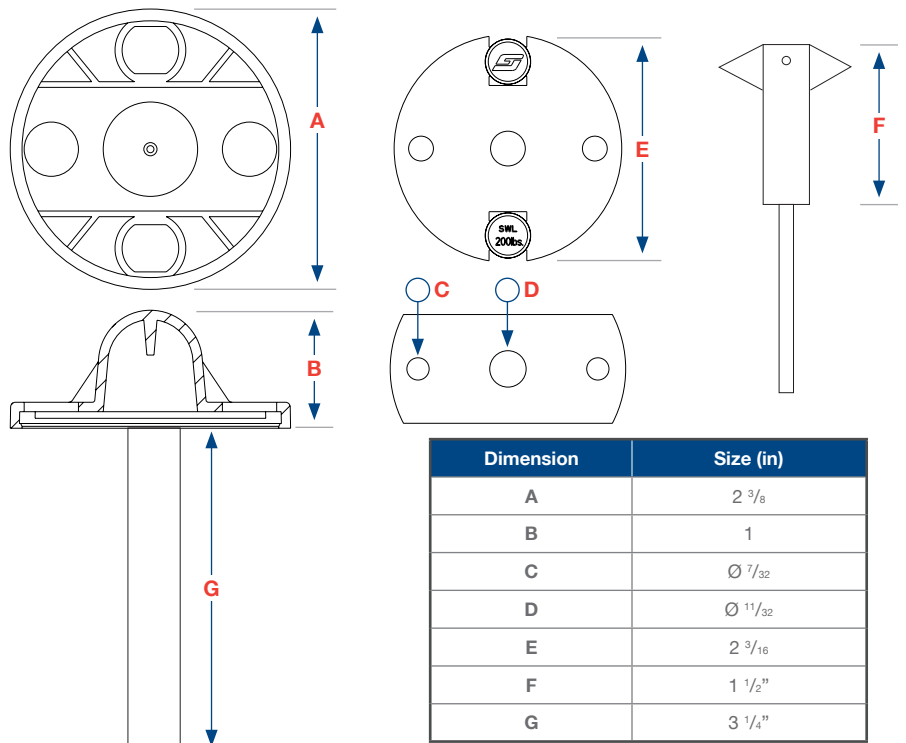
	No.2	No.3
Cable Diameter (in.)	5/64	1/8
Strand configuration	7 x 7	7 x 7
Min. breaking load (lbs)	573	1,278
Max. safe working load (lbs)	100	200
Tensile strength (lbs/sq. in.)	256,700	256,700

Swivel Toggle End: Zinc plated steel

APPLICATION EXAMPLE



SIZE SPECIFICATION



Dimension	Size (in)
A	2 3/8
B	1
C	Ø 7/32
D	Ø 11/32
E	2 3/16
F	1 1/2"
G	3 1/4"