



325 COMMERCE DRIVE  
 MT VERNON, OH 43050  
 800-253-8236

**SPECIFICATION DATA SHEET**

DATE: 1-9-12  
 PREPARED BY: RL

**MODEL NO. 8236**

**CONICAL WITH GASKET & DAMPER**

STANDARD MODEL

**DIMENSIONS**

SIZE	A	B	C	E
4"	4"	6"	7 3/4"	7 1/2"
5"	5"	7"	8 3/4"	7 1/2"
6"	6"	8"	9 3/4"	7 1/2"
7"	7"	9"	10 3/4"	7 1/2"
8"	8"	10"	11 3/4"	7 1/2"
9"	9"	11"	12 3/4"	7 1/2"
10"	10"	12"	13 3/4"	7 1/2"
12"	12"	14"	15 3/4"	7 1/2"
14"	14"	16"	17 3/4"	7 1/2"
16"	16"	18"	19 3/4"	7 1/2"
18"	18"	20"	21 3/4"	9 1/2"

**MATERIAL SPECIFICATIONS**

HOT DIPPED GALVANIZED STEEL.  
 PER ASTM A 653 CSB.

BODY/COLLAR GAUGE: 4"-16" = 26GA  
 18" = 24GA  
 24GA IS AVAILABLE

DAMPER GAUGE: 4"-12" = 26GA  
 14"-18" = 24GA

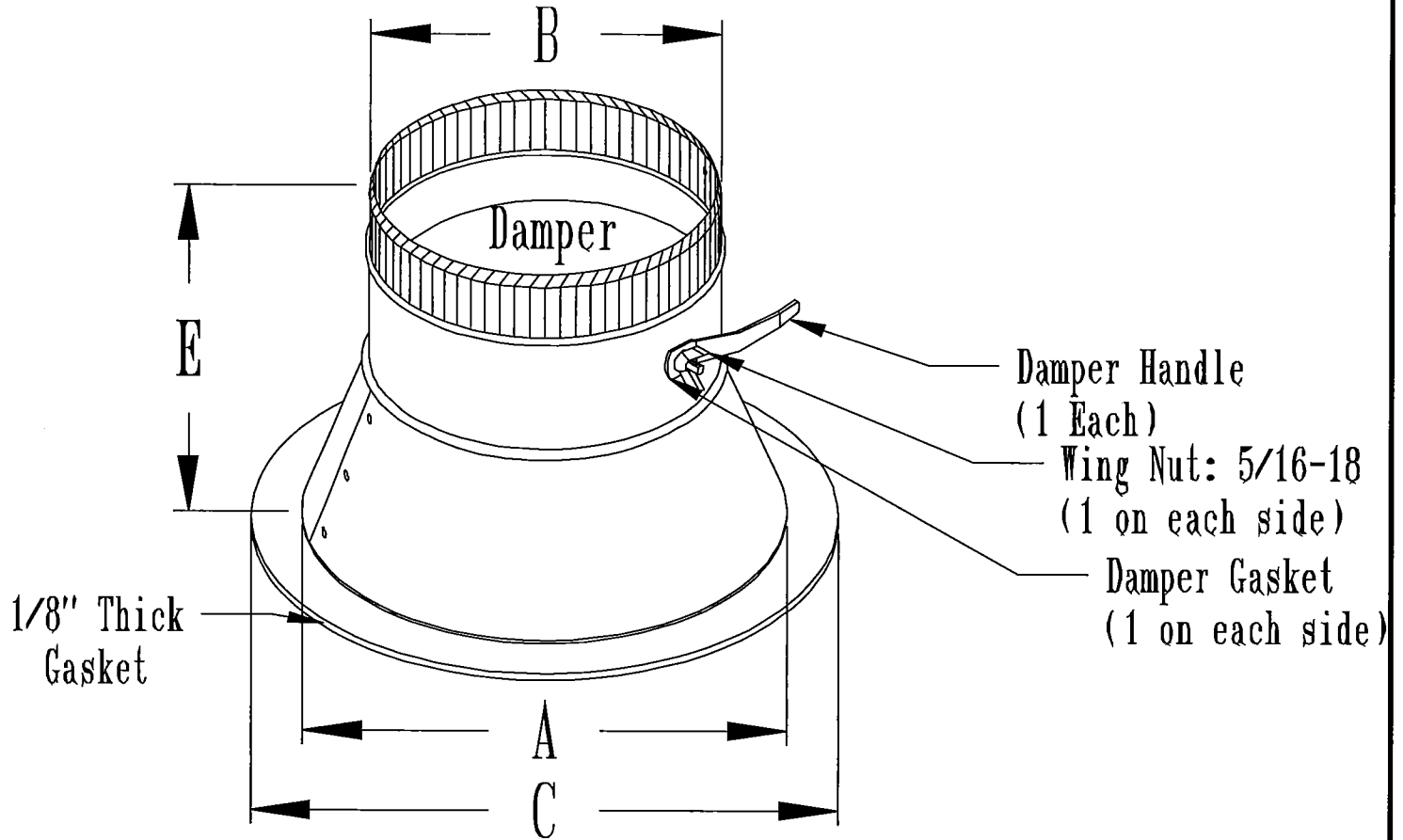
ASSEMBLED WITH 1/8" ZINC COATED RIVETS.

GASKET IS CROSSLINKED POLYETHYLENE.

**OPTIONS**

Damper standoffs available:

Durodyne-1/4" damper ends.  
 Durodyne-3/8" square continuous shaft.



JOB: \_\_\_\_\_  
 LOCATION: \_\_\_\_\_  
 CONTRACTOR: \_\_\_\_\_  
 ENGINEER: \_\_\_\_\_  
 NOTES: \_\_\_\_\_