



325 COMMERCE DRIVE
 MT VERNON, OH 43050
 800-253-8236

SPECIFICATION DATA SHEET

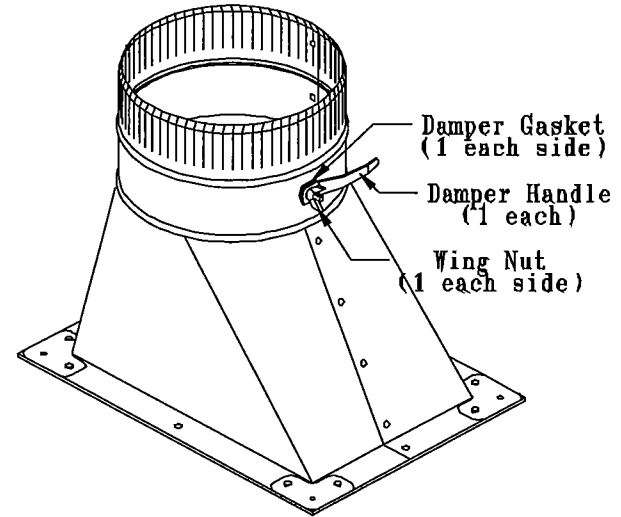
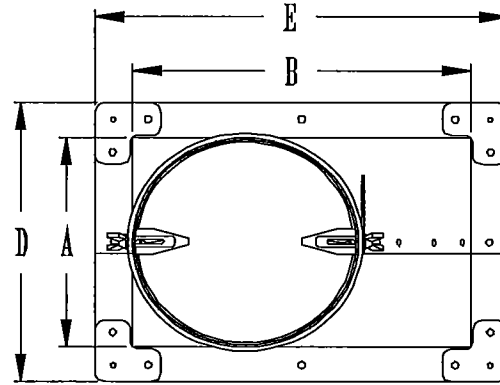
DATE: 7-16-13
 PREPARED BY: RL

MODEL NO. 8240 SIDE TAKEOFF WITH DAMPER

Standard Model

DIMENSIONS

SIZE			D	E	F	G	H
A	x B	x C					
4"	x 8"	x 4"	6"	10"	4 1/4"	10 1/4"	27°
5"	x 9"	x 5"	7"	11"	4 1/4"	10 1/4"	34°
5"	x 9"	x 6"	7"	11"	4 1/4"	10 1/4"	27°
5"	x 11"	x 7"	7"	13"	4 1/4"	10 1/4"	34°
6"	x 12"	x 8"	8"	14"	4 1/4"	10 1/4"	34°
7"	x 13"	x 9"	9"	15"	4 1/4"	10 1/4"	34°
8"	x 14"	x 10"	10"	16"	4 1/4"	10 1/4"	34°
10"	x 16"	x 12"	12"	18"	4 1/4"	10 1/4"	34°
12"	x 18"	x 14"	14"	20"	4 1/4"	10 1/4"	34°
14"	x 20"	x 16"	16"	22"	6"	11 1/2"	36°
16"	x 22"	x 18"	18"	24"	6"	12"	34°



MATERIAL SPECIFICATIONS

HOT DIPPED GALVANIZED STEEL.
 PER ASTM A 653 CSB.

BODY/COLLAR GAUGE: 6"-12" = 26GA
 14"-20" = 24GA

DAMPER GAUGE: 4"-12" = 26GA
 14"-18" = 24GA

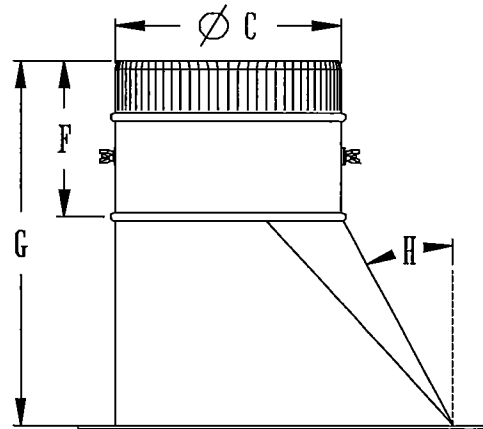
ASSEMBLED WITH 1/8" ZINC COATED RIVETS.

WINGNUT: 5/16-18, ZINC PLATED STEEL

DAMPER HANDLE : 18 GA

DAMPER GASKET IS NEOPRENE RUBBER

GASKET IS CROSSLINKED POLYETHYLENE.



1/8" Thick
 Gasket

OPTIONS

AVAILABLE WITH ECONOMY 2" STANDOFF
 AVIALABLE WITH DURODYNE STANDOFF: 1/4" DAMPER ENDS
 AVIALABLE WITH DURODYNE STANDOFF: 3/8" THROUGH SHAFT
 AVIALABLE WITH DURODYNE STANDOFF: 3/8" THROUGH SHAFT
 WITH STANDOFF ON REVERS SIDE OF COLLAR

JOB: _____
 LOCATION: _____
 CONTRACTOR: _____
 ENGINEER: _____
 NOTES: _____