



325 COMMERCE DRIVE
 MT VERNON, OH 43050
 800-253-8236

SPECIFICATION DATA SHEET

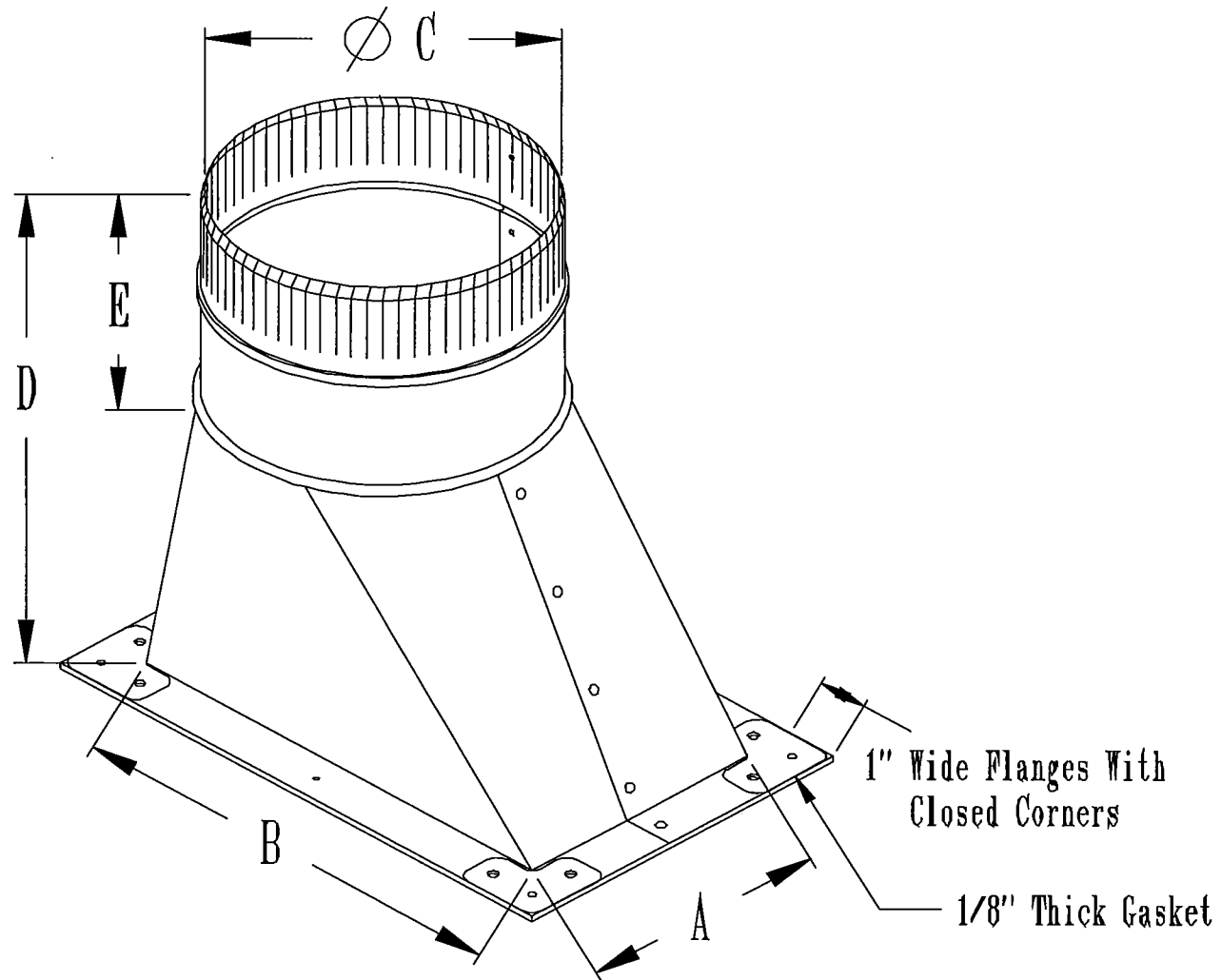
DATE: 8-29-12
 PREPARED BY: RL

MODEL NO. 8241 SIDE TAKEOFF WITH DAMPER

Standard Model

DIMENSIONS

A X B	C	D	E
4" X 8"	4"	10 1/4"	4 1/4"
5" X 9"	5"	10 1/4"	4 1/4"
5" X 9"	6"	10 1/4"	4 1/4"
5" X 11"	7"	10 1/4"	4 1/4"
6" X 12"	8"	10 1/4"	4 1/4"
7" X 13"	9"	10 1/4"	4 1/4"
8" X 14"	10"	10 1/4"	4 1/4"
10" X 16"	12"	10 1/4"	4 1/4"
12" X 18"	14"	10 1/4"	4 1/4"
14" X 20"	16"	11 1/2"	6"
16" X 22"	18"	12"	6"
18" X 24"	20"	12"	6"



MATERIAL SPECIFICATIONS

HOT DIPPED GALVANIZED STEEL.
 PER ASTM A 653 CSB.

BODY/COLLAR GAUGE: 6"-12" = 26GA
 14"-20" = 24GA
 24 GAUGE AVAILABLE.

ASSEMBLED WITH 1/8" ZINC COATED RIVETS.

GASKET IS CROSSLINKED POLYETHYLENE.

OPTIONS

JOB: _____
 LOCATION: _____
 CONTRACTOR: _____
 ENGINEER: _____
 NOTES: _____