



325 COMMERCE DRIVE
 MT VERNON, OH 43050
 800-253-8236

SPECIFICATION DATA SHEET

DATE: 8-22-14
 PREPARED BY: RL

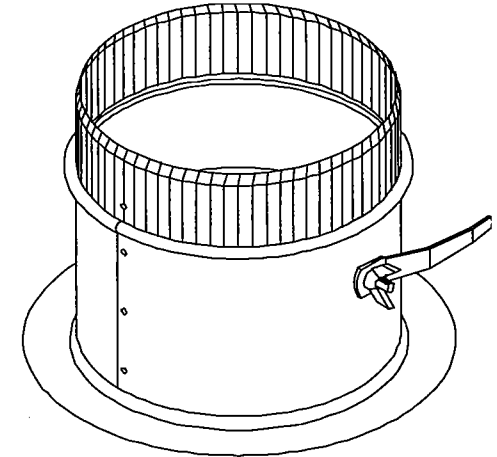
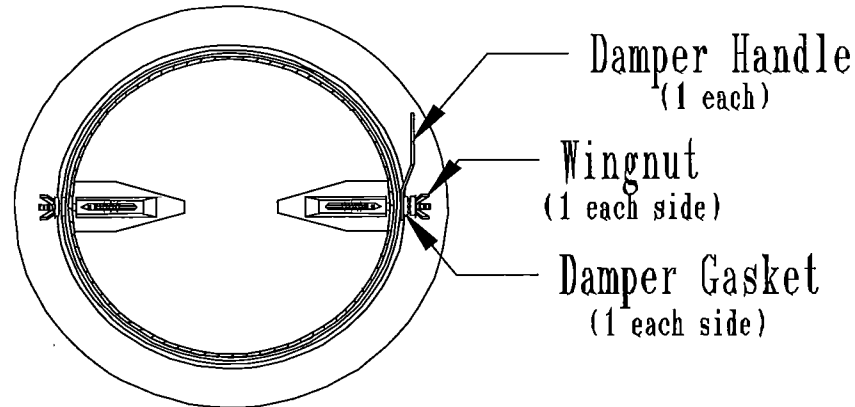
MODEL NO. 8218

FLOWTITE TAKEOFF W/DAMPER

STANDARD MODEL WITH ULTRA SEAL

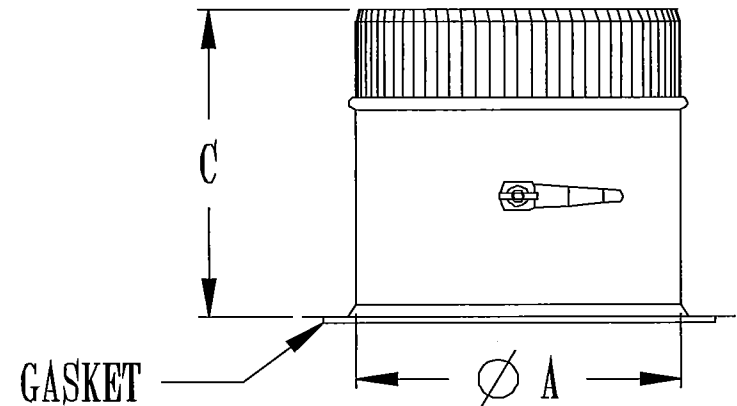
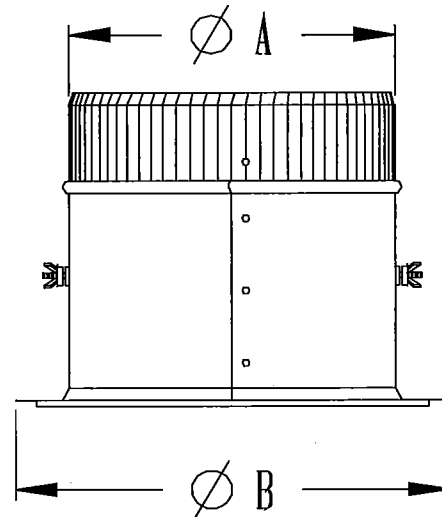
DIMENSIONS

| SIZE | A | B | C |
|------|-----|---------|--------|
| 4" | 4" | 5 3/8" | 6 1/4" |
| 5" | 5" | 6 3/8" | 6 1/4" |
| 6" | 6" | 7 3/8" | 6 1/4" |
| 8" | 8" | 9 3/8" | 6 1/4" |
| 9" | 9" | 10 3/8" | 6 1/4" |
| 10" | 10" | 11 3/8" | 6 1/4" |
| 12" | 12" | 13 3/8" | 6 1/4" |
| 14" | 14" | 15 3/8" | 6 1/4" |
| 16" | 16" | 17 3/8" | 6 1/4" |
| 18" | 18" | 19 3/8" | 6 1/4" |
| 20" | 20" | 22" | 6 1/4" |



MATERIAL SPECIFICATIONS

HOT DIPPED GALVANIZED STEEL.
 PER ASTM A 653 CSB.
 ASSEMBLED WITH 1/8" ZINC COATED RIVETS.
 BODY: 26 GAUGE CONSTRUCTION
 HEAVIER GAUGES AVAILABLE
 DAMPER GAUGE: 4"-12" = 26GA
 14" & UP = 24GA
 WINGNUT = 5/16-18, ZINC PLATED STEEL
 DAMPER HANDLE = 18 GAUGE
 GASKET IS CROSSLINKED POLYETHYLENE.
 ULTRASEAL IS A URETHANE ACRYLATE.
 THERMAL RANGE IS -65°F TO +325°F.



OPTIONS

JOB: _____
 LOCATION: _____
 CONTRACTOR: _____
 ENGINEER: _____
 NOTES: _____