



325 COMMERCE DRIVE
 MT VERNON, OH 43050
 800-253-8236

SPECIFICATION DATA SHEET

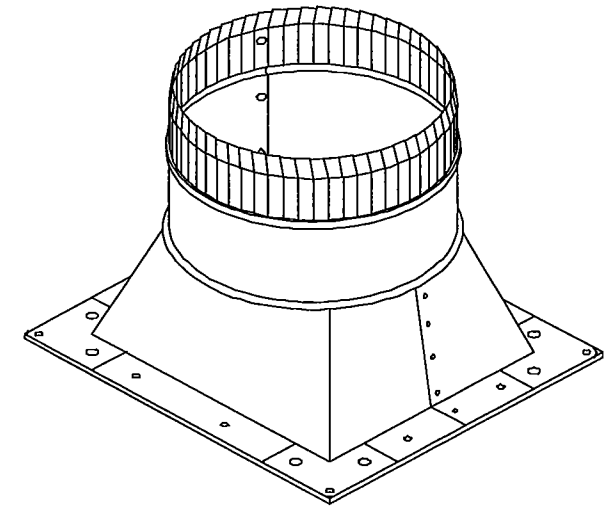
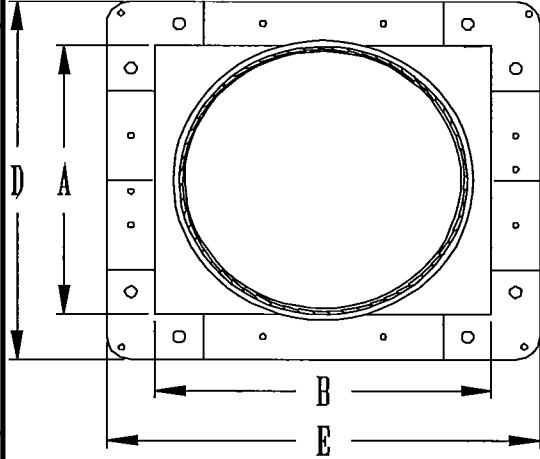
DATE: 7-16-13
 PREPARED BY: RL

**MODEL NO. 8245
 CENTERED TAKEOFF**

Standard Model

DIMENSIONS

SIZE								
A	x	B	x	C	D	E	F	G
5"	x	9"	x	6"	7"	11"	6"	11 1/2"
5"	x	11"	x	7"	7"	13"	6"	11 1/2"
6"	x	12"	x	8"	8"	14"	6"	11 1/2"
8"	x	14"	x	10"	10"	16"	6"	11 1/2"
10"	x	16"	x	12"	12"	18"	6"	11 1/2"
12"	x	18"	x	14"	14"	20"	6"	11 1/2"
14"	x	20"	x	16"	16"	22"	6"	11 1/2"
16"	x	22"	x	18"	18"	24"	6"	11 1/4"
18"	x	24"	x	20"	20"	26"	6"	11 1/4"



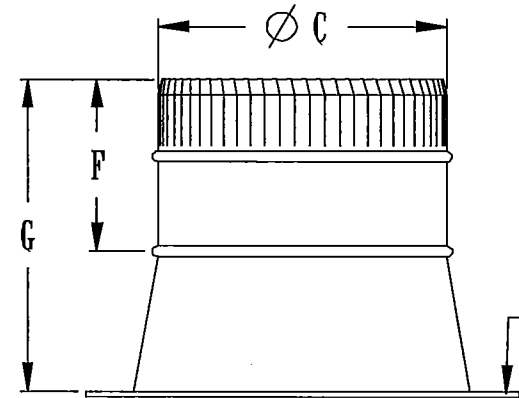
MATERIAL SPECIFICATIONS

HOT DIPPED GALVANIZED STEEL.
 PER ASTM A 653 CSB.

BODY/COLLAR GAUGE: 6"-12" = 26GA
 14"-20" = 24GA

ASSEMBLED WITH 1/8" ZINC COATED RIVETS.

GASKET IS CROSSLINKED POLYETHYLENE.



OPTIONS

JOB: _____
 LOCATION: _____
 CONTRACTOR: _____
 ENGINEER: _____
 NOTES: _____