



325 COMMERCE DRIVE  
 MT VERNON, OH 43050  
 800-253-8236

**SPECIFICATION DATA SHEET**

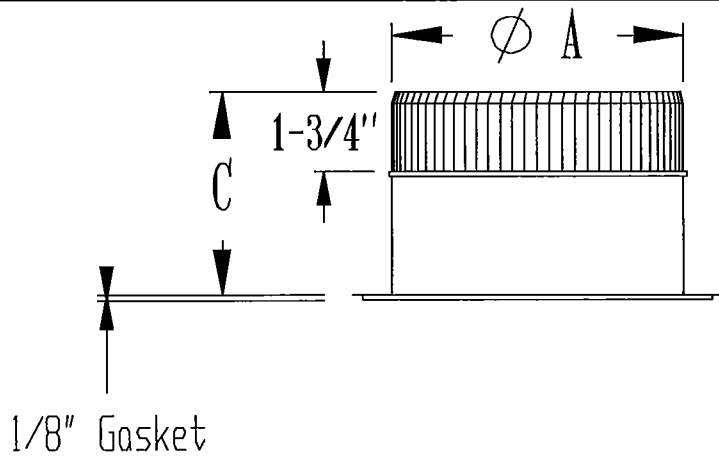
DATE: 8-22-14  
 PREPARED BY: RL

**MODEL NO. 8217**  
**FLOWTITE TAKEOFF PLAIN**

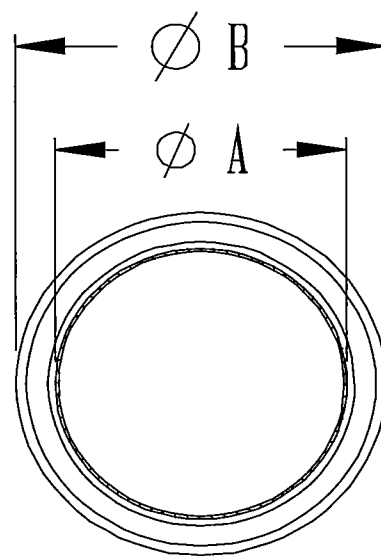
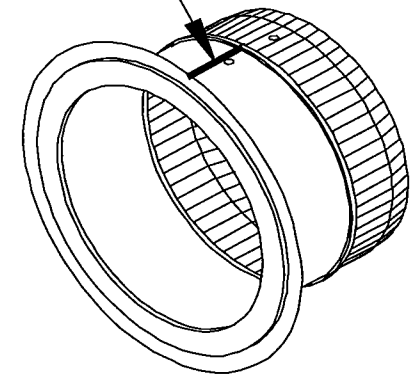
ULTRASEAL MODEL

**DIMENSIONS**

SIZE	A	B	C
4"	4"	5 3/8"	4 1/4"
5"	5"	6 3/8"	4 1/4"
6"	6"	7 3/8"	4 1/4"
7"	7"	8 3/8"	4 1/4"
8"	8"	9 3/8"	4 1/4"
9"	9"	10 3/8"	4 1/4"
10"	10"	11 3/8"	4 1/4"
12"	12"	13 3/8"	4 1/4"
14"	14"	15 3/8"	4 1/4"
16"	16"	17 3/8"	4 1/4"
18"	18"	19 3/8"	4 1/4"
20"	20"	22"	4 1/4"



UltraSeal



**MATERIAL SPECIFICATIONS**

HOT DIPPED GALVANIZED STEEL.  
 PER ASTM A 653 CSB.

AVAILABLE IN 26 GA OR 24 GA

ASSEMBLED WITH 1/8" ZINC COATED RIVETS.

GASKET IS CROSSLINKED POLYETHYLENE.

ULTRASEAL IS A URETHANE ACRYLATE  
 THERMAL RANGE IS -65°F TO +325°F

**OPTIONS**

JOB: \_\_\_\_\_  
 LOCATION: \_\_\_\_\_  
 CONTRACTOR: \_\_\_\_\_  
 ENGINEER: \_\_\_\_\_  
 NOTES: \_\_\_\_\_