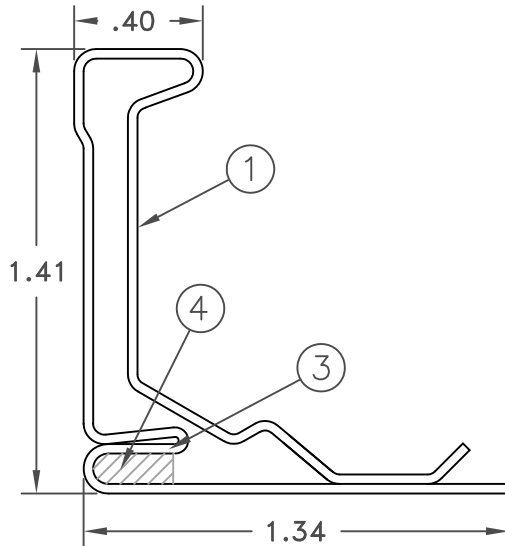


# WARD CONNECTOR

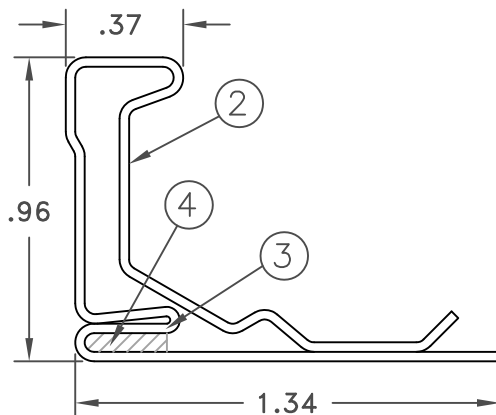
## J Quick Flange and H Quick Flange

SMACNA RATED "J" AND "H" TRANSVERSE JOINT DUCT CONNECTORS

QFLG J  
QFLG H



**J Flange**



**H Flange**

**SPECIFICATIONS:**

1. J Flange is rollformed from 20 gauge material
2. H Flange is rollformed from 22 gauge material
3. Large integrated sealant pocket
4. Butyl sealant (factory installed) Reference Submittal Drawing Pg 562 for Butyl Sealant usage specification.
5. Pre-drilled screw holes for ease of install. Holes are .1" Ø and spaced 1" apart.

**NOTES:**

1. Available in 10' and 20' lengths. Contact factory for custom lengths.
2. Available in the following metals:
  - Galvanized (J and H)
  - Aluminum (J)
  - Aluminized (J and H)
  - Galvaneal (J and H)
  - Stainless Steel (J)
3. Recommended for 26 GA through 14 GA ductwork.
4. J Flange meets SMACNA rigidity Class J for transverse joints (steel) or Class H for transverse joints (aluminum).
5. H Flange meets SMACNA rigidity Class H for transverse joints.
6. Reference Ward J and H Flange Duct Construction Standards for installation instructions and a complete reference to approved applications (separate).

JOB NAME: _____ LOCATION: _____ ARCHITECT: _____ ENGINEER: _____ CONTRACTOR: _____	SUBMITTED BY: _____   
--	---------------------------------