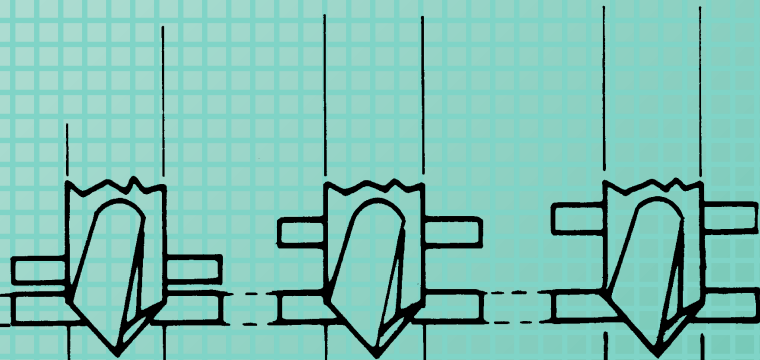
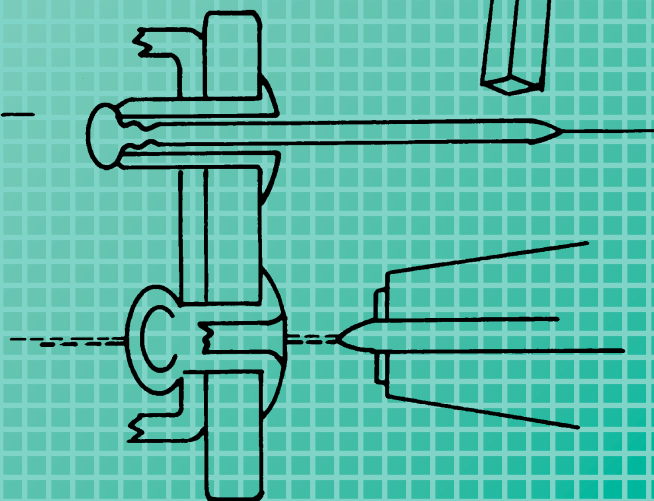
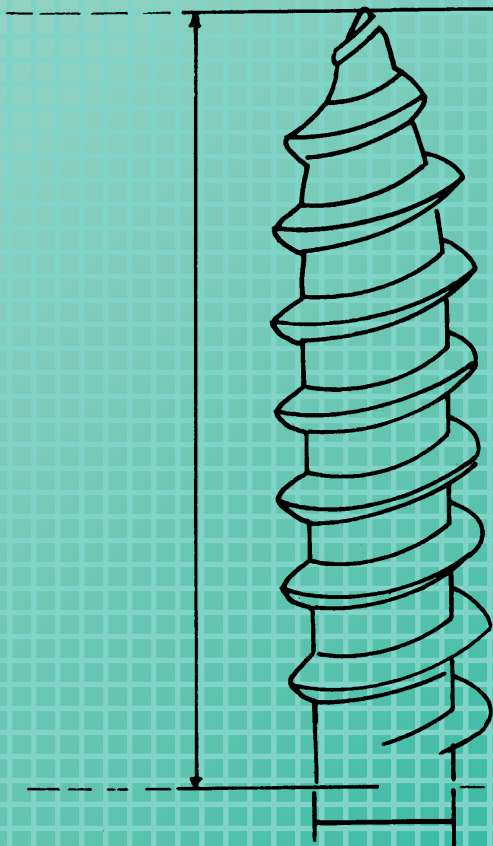
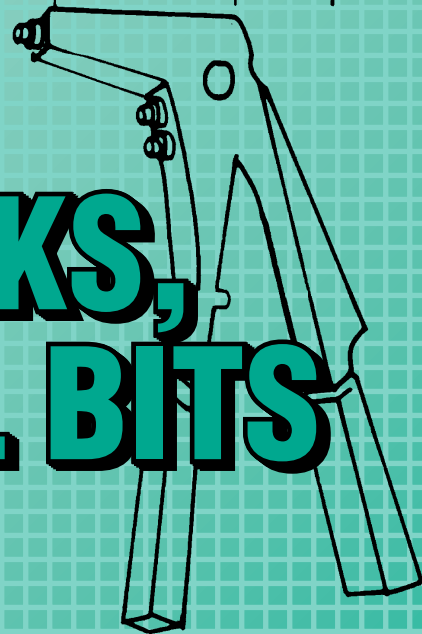




**DURO  
DYNE**



# SELF DRILLING SCREWS, CHUCKS, RIVETS & DRILL BITS



**LONGSUPPLY**

606 PRAIRIE STREET  
AURORA, IL 60506

# SUPER SABERS®

## SELF PIERCING SCREWS FOR LIGHT TO MEDIUM GAUGE

Designed for light-to medium-gauge materials, the Super Saber Point offers one-step fastening. Its time saving performance is related to the saber-sharp piercing point with a “fine-cut” machine thread, which pierces the metal upon contact. Once pierced, the thread propels the screw through metal rapidly and almost without effort.

All Standard Saber Screws are 1/4” Head



### SUPER SABER SCREWS

ITEM SIZE	HUNDRED PACK (SAC) ITEM#	TWO-FIFTY PACK (SAQ) ITEM#	FIVE-HUNDRED PACK (SAF) ITEM#	THOUSAND PACK (SAT) ITEM#	BUCKET PACK (SAP) ITEM#	QUANTITY PER BUCKET	BULK PACK (SAB) ITEM#	QUANTITY PER BULK
6 x 3/8	14165	14300	14320	14158	15153	5M	15108	20M
7 x 1/2	14166	14301	14321	14159	15154	5M	15109	17M
8 x 1/2	14167	14302	14322	14160	15155	5M	15110	14M
8 x 3/4	14168	14303	14323	14161	15156	4M	15111	10M
8 x 1	14193	14304	14324	14174	15167	3M	15124	7M
8 x 1 1/2	14172	14305	14222	14175	15168	3M	15125	4M
8 x 2	14173	14306	14221	14176	15169	3M	15126	3M
10 x 1/2	14169	14307	14327	14162	15157	4M	15112	10M
10 x 3/4	14170	14308	14328	14163	15158	3M	15113	7M
10 x 1	14171	14309	14329	14164	15170	3M	15114	6M

### SPECIAL 5/16” HEAD SABER SCREWS

ITEM #	CODE	ITEM SIZE
15177	SAB	10x3/4-5/16 Head

### SPECIAL PAINTED SABER SCREWS

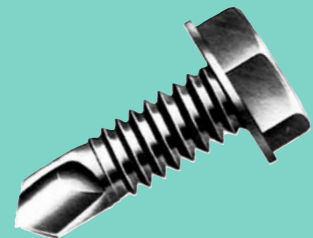
ITEM #	CODE	ITEM SIZE	COLOR
15180	SAC	8x2	White

Screws are also available in other packaged quantities.

# PRO POINTS®

## SELF DRILLING SCREWS FOR HEAVY GAUGE

Pro-Point Screws, with a precision formed drill point, are designed to fasten heavy gauge metals. These screws assure accurately sized holes for maximum holding power, eliminating the need for hole preparation and frequent alignment problems encountered in parts assembly.



### PRO POINT SCREWS

ITEM SIZE	DRIVER SIZE	DRILL PT. SIZE	MAX. DRILL CAPABILITY		HUNDRED PACK (PPC) ITEM#	FIVE HUNDRED PACK (PPF) ITEM#	THOUSAND PACK (PPT) ITEM#	BUCKET PACK (PPP)		BULK PACK (PPB)	
			DEC.	GA.				ITEM#	QTY.	ITEM#	QTY.
8 x 1/2	1/4	2	.100	12	14177	14340	14185	15159	5M	15127	10M
8 x 5/8	1/4	2	.100	12	14178	14341	14186	15160	5M	15128	10M
8 x 3/4	1/4	2	.100	12	14179	14342	14187	15161	4M	15129	10M
10 x 1/2	5/16	3	.110	11	14180	14343	14188	15162	4M	15130	8M
10 x 5/8	5/16	3	.175	7	14181	14344	14189	15163	3M	15131	5M
10 x 3/4	5/16	3	.175	7	14182	14345	14190	15164	3M	15132	5M
10 x 1	5/16	3	.175	7	14183	14346	14191	15166	3M	15133	5M
12 x 3/4	5/16	3	.210	5	14184	14347	14192	15175	3M	15134	5M
8x1	1/4	2	.100	12	14194	14195	14196	15165	3M	15174	5M

### HIGH HEAD PRO POINT SCREWS

ITEM SIZE	DRIVER SIZE	DRILL PT. SIZE	MAX. DRILL CAPABILITY		HUNDRED PACK (PPC) ITEM#	FIVE HUNDRED PACK (PPF) ITEM#	THOUSAND PACK (PPT) ITEM#	BUCKET PACK (PPP)	BULK PACK (PPB)	
			DEC.	GA.				ITEM#	ITEM#	QTY.
10 x 3/4	5/16	3	.175	7	14208	N/A	14210	N/A	15196	5M
8 x 3/4	1/4	2	.100	12	14207	N/A	14209	N/A	15210	10M

# SCREW INSTALLATION

## ELECTRIC DRILL

Use 1/4" capacity low torque drill with speed from 1800-2500 RPM. #8 and #10 Pro Point screws can be installed up to 3600 rpm.

## DRILL CHUCK

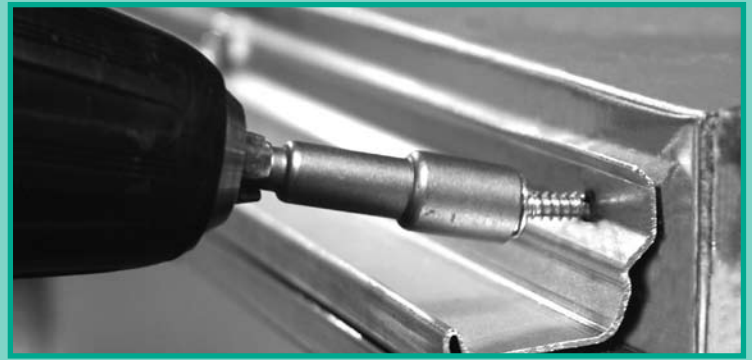
Duro Dyne 1/4" and 5/16" socket sizes are designed with a heavy-duty magnet to hold screws securely in position and are able to withstand the impact of usage without undue wear.

## SCREW LENGTH FOR SUPER SABERS

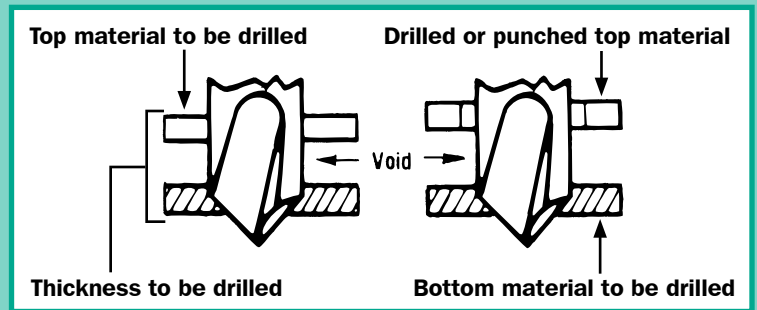
Must be sufficient to engage multiple layers of metal being fastened. With two pieces of light-gauge metal, unsupported back piece may push away under pressure. Screw length must be long enough to engage back piece of metal.

## SCREW LENGTH FOR PRO POINTS

Drill point length must exceed total thickness of material to be fastened including gaps. Thread length must also exceed combined material thickness.



### Drill Point Length Must Exceed Total Thickness



## TECHNIQUE

Set screw in the chuck, press the point firmly against the metal, and start the drill. As the screw bites into the metal, release the trigger to allow the drill momentum to seat the screw without stripping. Heavier gages of metal require greater pressure.

# DRILL SCREW CHUCKS & DRIVERS



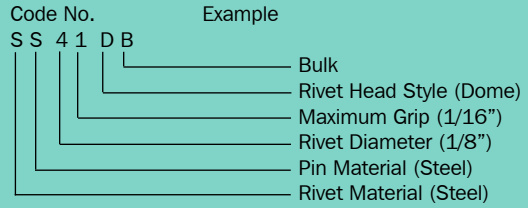
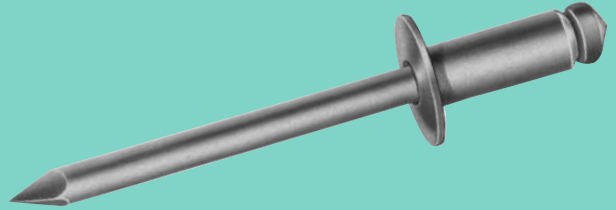
Super hard, yet shock resistant, Duro Dyne Chucks and Nutdrivers outperform all others. A strong, permanent magnet holds the screw firmly in position. A precision hex hole resists the reaming effect of the screw head during extended usage.

### CHUCKS & DRIVERS

ITEM #	MODEL	FOR SCREW HEAD SIZE	OVERALL LENGTH
16008	DCL14	1/4"	2 5/8"
16009	DCL516	5/16"	2 5/8"
16015	DCXL14	1/4"	6"
16016	DCXL516	5/16"	6"
871097	L8M	1/4"	10 1/8"
871100	L10M	5/16"	10 1/8"
16018	DC14	1/4"	1 3/4"
16019	DC516	5/16"	1 3/4"

# PIN RIVETS™

Pin Rivets are strong, hollow rivets assembled onto a solid mandrel. They are manufactured to strict quality control standards and are available in a wide range of sizes and styles to provide the proper rivet for every type of application. Pin Rivets are inserted and set from the same side. They are particularly practical where there is no access to the reverse side of the work.



RIVETS		
ITEM#	BULK PACK DESCRIPTION	QTY.
	STEEL BODY/ STEEL MANTREL	
29001	SS41DB	10M
29002	SS42DB	10M
29003	SS43DB	10M
29004	SS44DB	10M
29005	SS46DB	10M
29006	SS52DB	8M
29007	SS54DB	8M
29008	SS56DB	8M
29009	SS62DB	5M
29010	SS64DB	5M
29011	SS66DB	5M
29012	SS68DB	5M
ITEM#	BULK PACK DESCRIPTION	QTY.
	ALUMINUM RIVET/ STEEL PIN	
29027	AS32DB	10M
29028	AS34DB	10M
29029	AS41DB	10M
29030	AS42DB	10M
29031	AS43DB	10M
29032	AS44DB	10M
29033	AS45DB	10M
29034	AS46DB	10M
29035	AS52DB	8M
29036	AS53DB	8M
29037	AS54DB	8M
29038	AS56DB	8M
29039	AS62DB	5M
29041	AS64DB	5M
29042	AS66DB	5M
29043	AS68DB	5M
29044	AS610DB	5M
29021	AS42CB	10M
29022	AS43CB	10M
29023	AS44CB	10M
29054	AS66LFB	5M
29055	AS68LFB	5M
29056	AS610LFB	5M

RIVETS				
PART 1	PART 2	PART 3	PART 4	PART 5 & 6
Rivet Material	Pin Material	Rivet Diam. (in 32nds of an inch)	Maximum Grip (in 16ths of an inch)	Rivet Head Style
S=Steel A=Aluminum C=Copper X=Stainless Steel	S=Steel A=Aluminum C=Copper (Coated Steel) X=Stainless Steel	3 = 3/32" 4 = 1/8" 5 = 5/32" 6 = 3/16" 8 = 1/4"	1 = 1/16" 2 = 1/8" 3 = 3/16" 4 = 1/4" 5 = 5/16" 6 = 3/8" 8 = 1/2" 10 = 5/8"	D=Dome C=Countersunk LF=Large Flange B=Bulk

RIVETS		
ITEM#	BULK PACK DESCRIPTION	QTY.
	ALUMINUM RIVET/ ALUMINUM PIN	
29057	AA32DB	10M
29058	AA34DB	10M
29059	AA41DB	10M
29060	AA42DB	10M
29061	AA43DB	10M
29062	AA44DB	10M
29063	AA45DB	10M
29064	AA46DB	10M
29065	AA52DB	8M
29066	AA54DB	8M
29067	AA56DB	8M
29068	AA62DB	5M
29070	AA64DB	5M
29071	AA66DB	5M
29072	AA68DB	5M
29073	AA610DB	5M
29074	AA42CB	10M
29075	AA43CB	10M
29076	AA44CB	10M
29084	AA66LFB	5M
29085	AA68LFB	5M
29086	AA610LFB	5M

**Rivets are also available in thousand packs.**

RIVETS		
ITEM#	BULK PACK DESCRIPTION	QTY.
	STAINLESS BODY/ STAINLESS MANTREL	
29013	XX42DB	10M
29014	XX44DB	10M
ITEM#	BULK PACK DESCRIPTION	QTY.
	STAINLESS RIVET/ STEEL PIN	
29015	XS42DB	10M
29016	XS44DB	10M
ITEM#	BULK PACK DESCRIPTION	QTY.
	COPPER RIVET & COPPER PLATED STEEL PIN	
29050	CC42DB	10M
29051	CC44DB	10M

# RIVET TOOL

The Rivet Tool is used for setting all popular diameter blind rivets. You need only to select and insert the proper nozzle to accommodate the rivet diameter.

Duro Dyne's Rivet Tool features:

- A handle opening - which you can set for a comfortable grip and maximum power.
- Ejection of broken mandrels from the nozzle.



**DDPRK5 Kit**



**DDPR5 Gun**

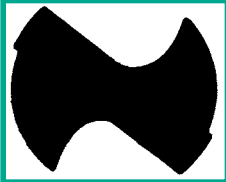
RIVET TOOL			
ITEM#	MODEL	DESCRIPTION	FOR RIVET DIAMETER
22030	DDPR5	Rivet Tool	1/8", 5/32", 3/16"
22031	DDPRK5	Rivet Tool Kit Contains: DDPR5 Gun, 200 Assorted popular rivets, 50 back-up washers, and a #30 "Super T" Drill Bit.	1/8", 5/32", 3/16"

# DRILL BITS

HOT ROLLED FORGED



✓ **Fast Cutting - Fast Starting**  
135° split point starts the hole where you place it. The drill does not “walk”, mar metal, or waste time.



✓ **Long Wearing - Extra Hard**  
Specially hardened high speed steel makes “Super T” Drill Bits harder and longer wearing than others. This same steel/processing combination allows bits to withstand the stress of torsional twisting.

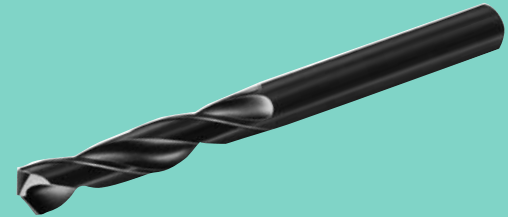


TWIN END DRILL BITS			
ITEM#	MODEL	SIZE	OVERALL LENGTH
24031	TEDB 1/8	1/8	2"
24032	TEDB #30	#30	2"



✓ **Heavy Web Reduces Breakage**  
Web is the portion which is solid steel from point to shank. “Super- T” has heavier web than ordinary bits. This means more flexibility, less breakage.

## DRILL BIT SIZE SELECTION CHART



DRILL BITS					
SIZE	DECIMAL EQUIVALENT	PACKED 10 PER POUCH		PACKED 100 PER BOX	
		ITEM #	DESCRIPTION	ITEM #	DESCRIPTION
#41	.0960	24001	TD-41	24017	TDB-41
7/64	.1093	24002	TD-7/64	24018	TDB-7/64
#31	.1200	24003	TD-31	24019	TDB-31
1/8	.1250	24004	TD-1/8	24020	TDB-1/8
#30	.1285	24005	TD-30	24021	TDB-30
9/64	.1405	24006	TD-9/64	24022	TDB-9/64
5/32	.1562	24007	TD-5/32	24023	TDB-5/32
#20	.1610	24008	TD-20	24024	TDB-20
11/64	.1719	24009	TD-11/64	24025	TDB-11/64
3/16	.1875	24010	TD-3/16	24026	TDB-3/16
#11	.1910	24011	TD-11	24027	TDB-11
7/32	.2187	24012	TD-7/32	24028	TDB-7/32
1/4	.2500	24013	TD-1/4	24029	TDB-1/4
9/32	.2811	24014	TD-9/32	24030	TDB-9/32



Duro Dyne East Division, Bay Shore, NY  
Duro Dyne Midwest Division, Fairfield, OH  
Duro Dyne West Division, Santa Fe Springs, CA  
Duro Dyne Canada, Lachine, Quebec, Canada

631-249-9000  
513-870-6000  
562-926-1774  
514-422-9760

Fax: 631-249-8346  
Fax: 513-870-6005  
Fax: 562-926-5778  
Fax: 514-636-0328

www.durodyne.com E-mail: durodyne@durodyne.com



© 2009 Duro Dyne Corp.  
Printed in USA 11/2009  
BB014401