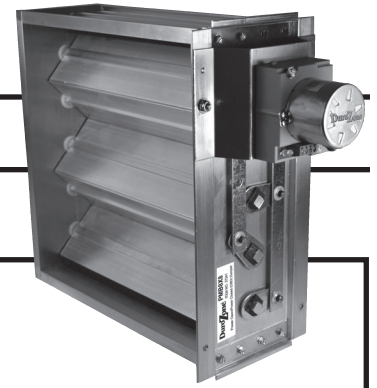


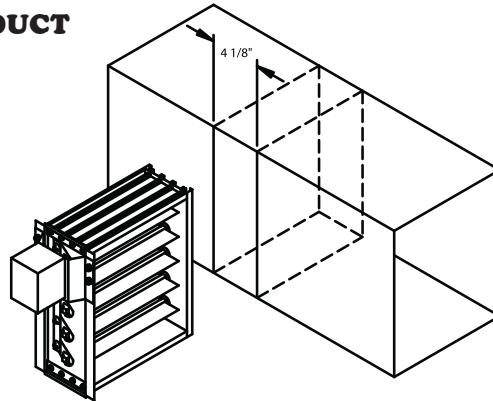
# DuroZone®

## INSTALLATION INSTRUCTIONS

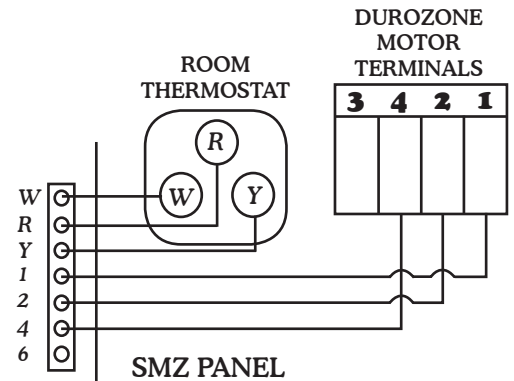
### PMB (OBD) MULTI BLADE DAMPER



#### INSTALLATION IN DUCT

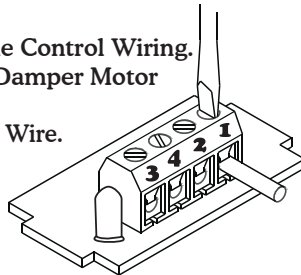


1. Cut 4 1/8" wide slot into side of sheet metal duct.
2. Slide damper into duct work.
3. Secure by screwing the damper into the ductwork. (Screws Provided)



#### MOTOR TERMINALS

1. Trim 1/4" off the end of the Control Wiring.
2. Loosen the screw on the Damper Motor Terminal Strip.
3. Insert the trimmed Control Wire.
4. Tighten the screw down.

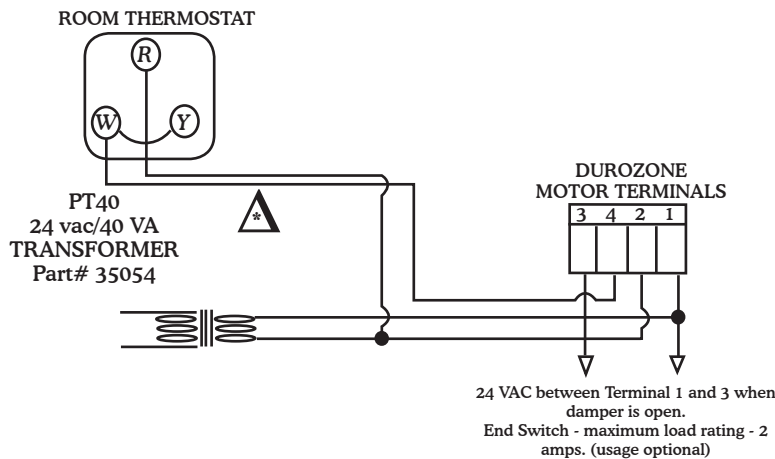


#### MOTOR TERMINAL IDENTIFICATION

- Terminals 1 & 2:** 24 volt input.
- Terminals 4 & 2:** Thermostat Connections - Closing 4 & 2 will open the damper. Opening 4 & 2 will close the damper.
- Terminal 3:** End switch - Connecting an equipment relay across 1 & 3 of the damper motor will activate the relay when the damper is open.

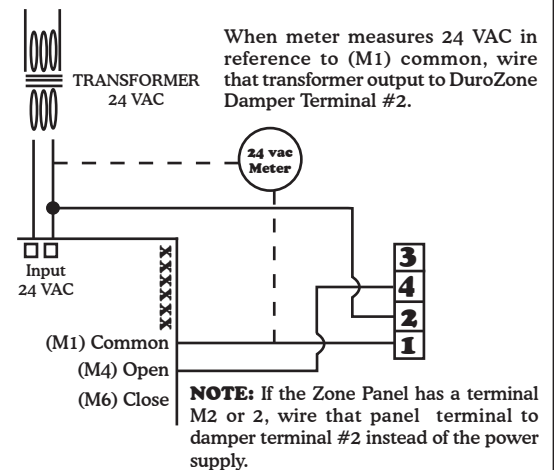
#### LED Indicator

Bi-Color LED indicates Red when damper is closed and Green when damper is open.



⚠ Standard Heat/Cool thermostat can be used to control Air Flow by jumping terminal W and Y and then wiring to damper terminal #4. Wire R on the thermostat to damper terminal #2.

#### TYPICAL WIRING FOR DUROZONE DAMPERS TO NON DUROZONE ZONING PANELS



Duro Dyne East • Bay Shore, NY 11706 • Phone: 631-249-9000 • Fax: 631-249-8346  
 Duro Dyne Midwest • Fairfield, OH 45011 • Phone: 513-870-6000 • Fax: 513-870-6005  
 Duro Dyne West • Fontana, CA 92337 • Phone: 562-926-1774 • Fax: 562-926-5778  
 DuroDyne Canada • Lachine • Quebec • Canada • Phone: 514-422-9760 • Fax: 514-636-0328

©2014 Duro Dyne Corporation  
 Printed in USA 10/2014  
 B1050002

www.durodyne.com Email: durodyne@durodyne.com

**ALL DuroZone DAMPERS FEATURE:**  
 • 5 year limited warranty • Controlled bypass  
 • Maintenance free operation • 100% factory testing • Screwless terminals • Custom dampers and special controls are available on request.