



# DynaTite™

## SUSPENSION SYSTEM



**LONG SUPPLY**  
606 PRAIRIE STREET  
AURORA, IL 60506



# PRODUCT CATALOG

# Table of Contents

<b>Benefits</b>	<b>2</b>
<b>Applications</b>	<b>3</b>
<b>Cable Locks</b>	<b>4</b>
<b>Installation Instructions</b>	<b>5</b>
<b>Accessories</b>	<b>6-10</b>
<b>Kits</b>	<b>11-14</b>
<b>Recommendations &amp; Precautions</b>	<b>15</b>
<b>Testing</b>	<b>15</b>



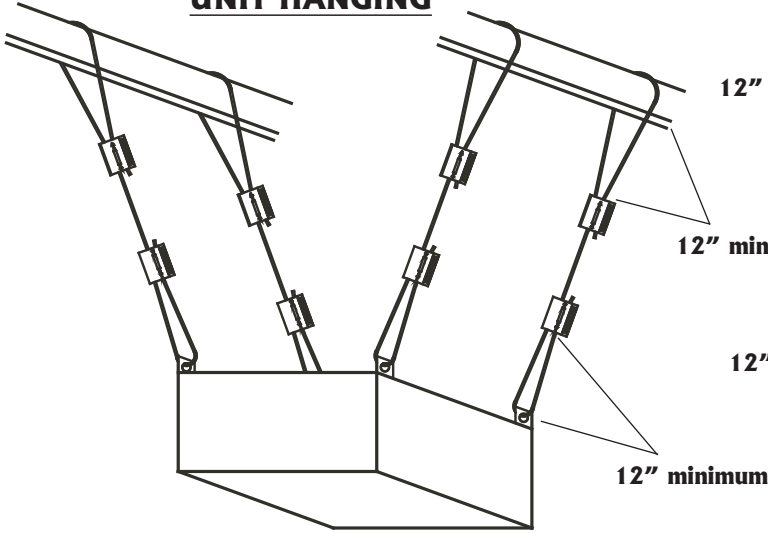
## Dyna-Tite System Benefits

- Its labor saving qualities have been shown to reduce installation time by up to 6 times compared to traditional threaded rod.
- It provides a fast and strong solution to the task of hanging Mechanical and HVAC Systems.
- It allows the installer to position the hangers vertically or at an angle to the suspended object.
- Dyna-Tite System is lightweight and easy to carry, and combines these qualities with the inherent strength of high tensile wire rope.
- Its light weight improves safety on the job. Carrying the product on the job site is easy and, in aerial situations, it reduces accident risk caused by falling materials.

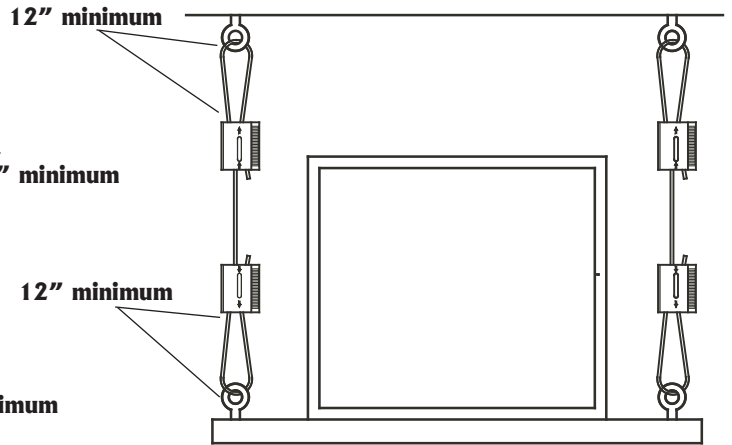
# Applications

Dyna-Tite cable locks and wire rope can be used for suspension in a variety of ways to accommodate most mechanical and HVAC construction applications.

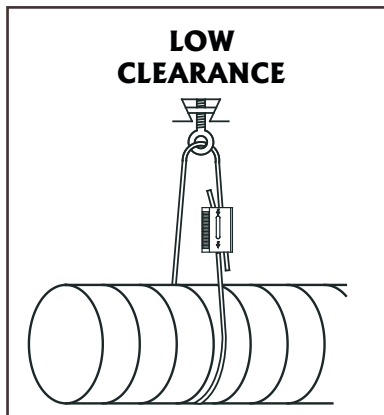
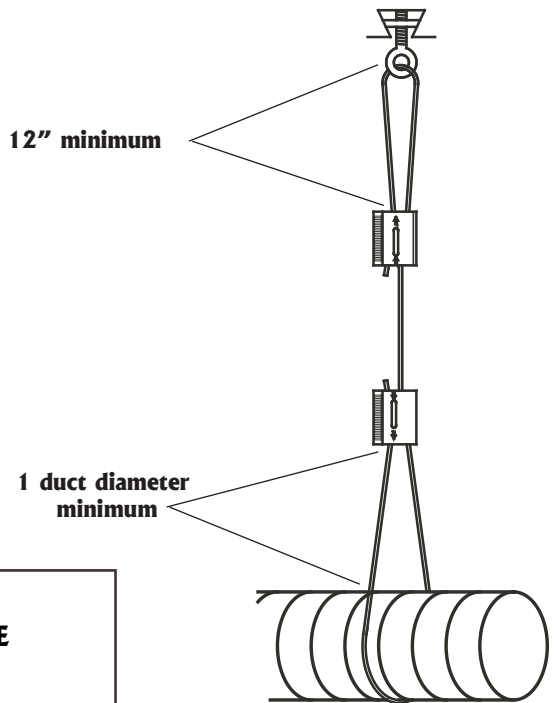
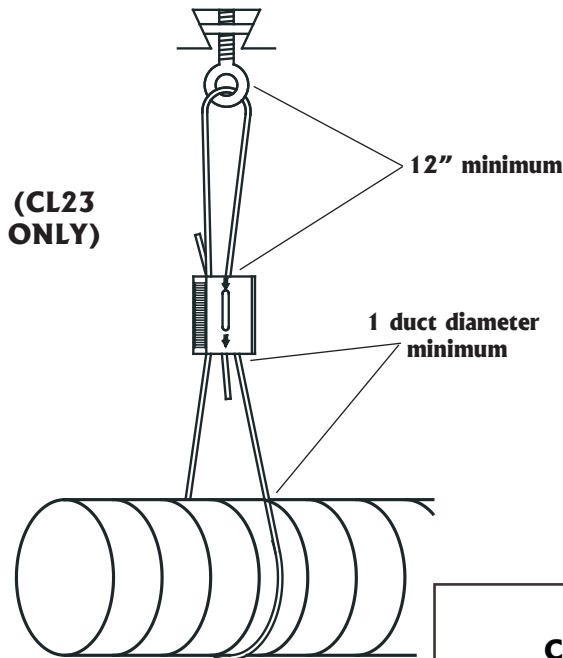
## UNIT HANGING



## RECTANGULAR DUCT WORK



## SPIRAL DUCT WORK



# Dyna-Tite Cable Locks

## CL23 Cable Lock

The Maximum Load Range for each size wire rope incorporates a design safety factor of 5:1. The CL23 and wire rope combination should be sized for the job so that the projected load falls within the appropriate working load limit (WLL).

Wire Rope for use with CL23 is supplied in rolls. The 1/8 in. comes in 500 ft. rolls. The 3/16 in. wire rope is supplied in 250 ft. rolls. (1/8 in. wire rope in 250 ft rolls and 3/16 in. wire rope in 125 ft. rolls are available on special order.)



Wire Rope Diameter	Safe Working Load at 5:1 Safety Factor
1/8 in.	25-250 lbs
3/16 in.	50-640 lbs.

## CL18 Cable Lock

The Dyna-Tite CL18 Cable Lock is for use with 3/32 in. and 1/8 in. wire rope. These size wire ropes are available in 500 ft. rolls. Depending upon the wire rope utilized, the CL18 has a working load limit of up to 225 lbs. As with all Dyna-Tite cable locks, the CL18 features an easy release pin for simple adjustments without the use of tools.



Wire Rope Diameter	Safe Working Load at 5:1 Safety Factor
3/32 in.	25-150 lbs.
1/8 in.	25-225 lbs.

## CL12 Cable Lock

The CL12 is designed for use with 3/32 in. wire rope. The wire rope is available in 500 ft. rolls. As with all Dyna-Tite cable locks, the CL12 includes release pins for easy adjustment. The CL12 is the perfect product for hanging smaller diameter spiral (less than 24 in.), typical residential and light commercial ductwork, and air handlers in attics.



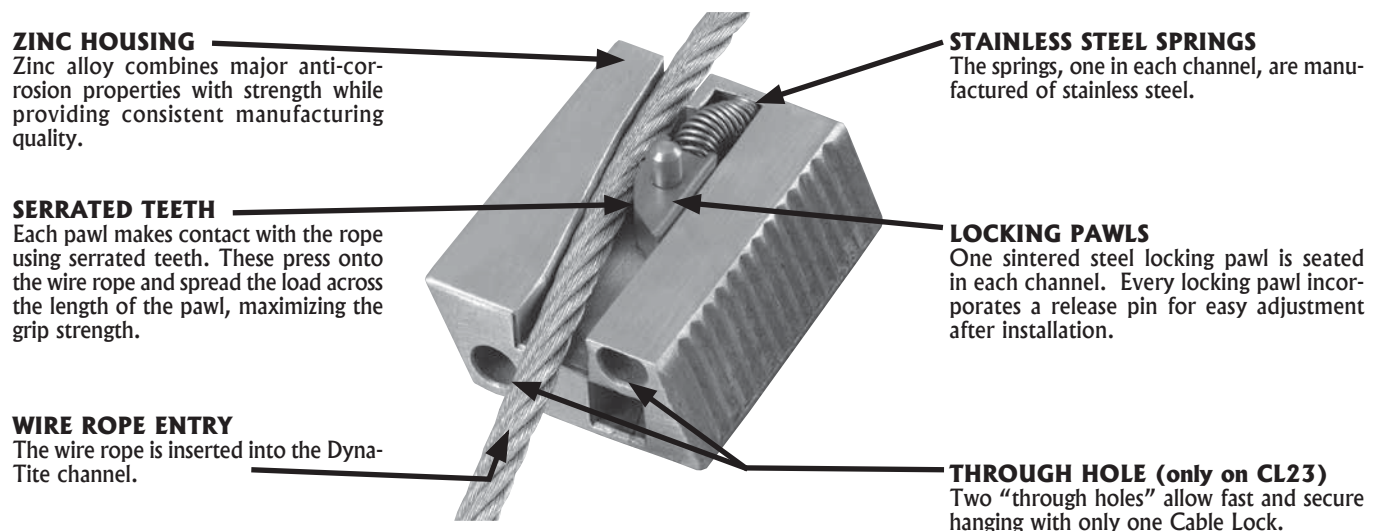
Wire Rope Diameter	Safe Working Load at 5:1 Safety Factor
3/32 in.	25-150 lbs.

For use with 3/32 in. Cable ONLY

Ordering Information				
Item #	Code	Description	Carton Qty	Box Qty
30350	CL23	Cable Lock for use with 1/8 in. or 3/16 in. wire rope	10	100
30354	CL18	Cable Lock for use with 3/32 in. or 1/8 in. wire rope	10	100
30351	CL12	Cable Lock for use with 3/32 in. wire rope	10	100

\* Dyna-Tite Cable Locks are also available as a kit, See page #13

## Cut-away section showing the Cable Lock internal components



# Installation Instructions

## STANDARD ASSEMBLY

### STEP 1

Pull the release pin back and thread the wire rope into one locking channel in the cable lock.

### STEP 2

Pass the wire rope "tail" through (or around) the anchor point (Eyehook, Beam, or Purlin).

### STEP 3

Pull the release pin back and push the wire rope tail into the second locking channel in the cable lock.

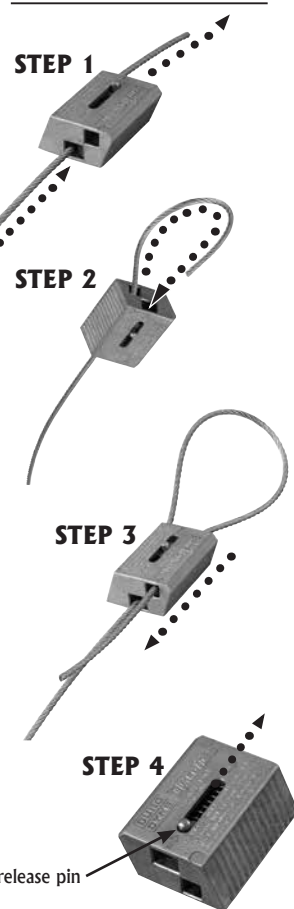
### STEP 4

Prior to the load being applied, the wire rope can be adjusted in either direction by sliding the release pin and moving the wire.

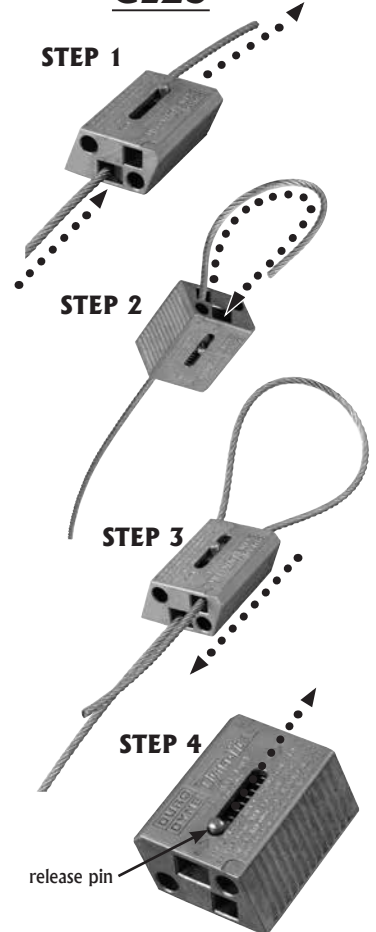
### Adjusting The Cable Lock

With the load off the wire rope and the Cable Lock, push the release pin in the direction of the arrow on the Cable Lock. This will release the locking pawl and allow the wire rope to be moved freely in either direction. (After a load has been applied it may be necessary to pull the cable slightly to disengage the teeth on the pawl). Be sure the load is fully supported before attempting an adjustment.

## CL12 & CL18



## CL23



## OPTIONAL FIGURE 8 ASSEMBLY (CL23 ONLY)

### STEP 1

Thread the wire rope into the "through hole" in the CL23.

### STEP 2

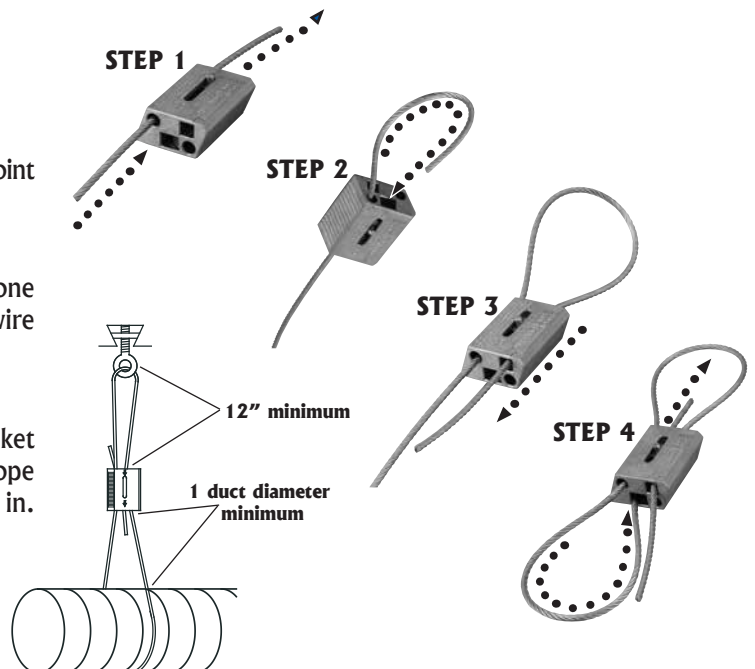
Pass the wire rope "tail" through (or around) the anchor point (Eyehook, Beam, or Purlin).

### STEP 3

Pull the release pin back and push the wire rope tail into one locking channel in the CL23 and pull at least 6 in. of the wire rope through.

### STEP 4

Pass the other wire rope end through (or around) the bracket or fixture on the object to be suspended. Return the wire rope to the CL23. Pull the release pin back and push at least 6 in. of wire rope through the remaining locking channel.

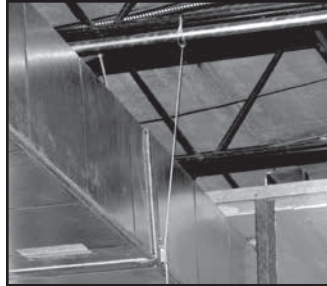
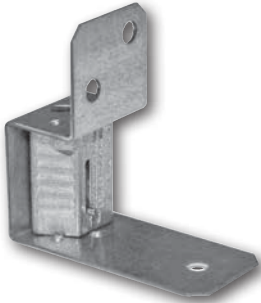


For final adjustment see Step 4 above in Standard Assembly.

# Dyna-Tite Accessories

## KV Bracket Assembly Patent Pending

The KV bracket assembly enhances the Dyna-Tite suspension system by the addition of an integral bracket, which fastens the cable lock to rectangular ductwork with sheet metal screws. Once the KV assembly bracket is attached to the duct, the wire rope "drop" is passed into the entry hole at the top of the bracket, through the cable lock, and out the exit hole at the bottom. The locking teeth inside the cable lock engage the wire rope and secure the ductwork in place. An accessible release pin allows for simple adjustments.



Working Load Limit
150 lbs. with 3/32 in. wire rope

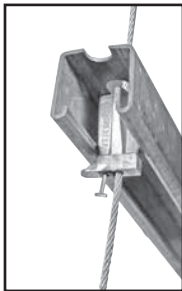
Item #	Code	Description	Quantity
30361	KV12	Bracket Assembly with CL12 for use with 3/32 in. wire rope	100 per carton
For use with 3/32 in. wire rope ONLY.			

## Zip-Clip

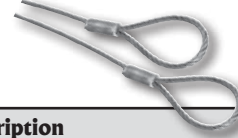
The Zip-Clip fits securely into strut and has a spring loaded pawl which allows the entry and passage of wire rope through the cable lock. Once engaged by the pawl, the wire rope is gripped with increasing pressure as the suspended load is increased. To ease adjustment, each Zip-Clip cable lock has an integrated release to disengage the gripping pawl.



"T" shaped release



- A work load limit of 220 lbs. (100 kg)
- Sold in sets with looped cable
- Built in 5:1 safety factor
- Fits inside strut



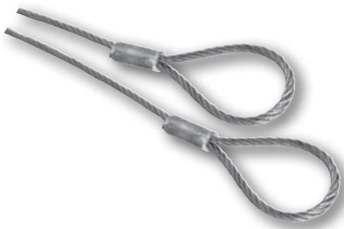
Item #	Code	Description	Quantity
30041	ZCWR5	Zip-Clip Cable Lock and Wire Rope with Loops - 5 ft.	10 bags of 10 sets
30042	ZCWR10	Zip-Clip Cable Lock and Wire Rope with Loops - 10 ft.	10 bags of 10 sets
30043	ZCWR15	Zip-Clip Cable Lock and Wire Rope with Loops - 15 ft.	10 bags of 10 sets
30044	ZCWR25	Zip-Clip Cable Lock and Wire Rope with Loops - 25 ft.	10 bags of 5 sets
Wire Rope supplied in set is for use with the Zip-Clip Cable lock ONLY.			

\* Zip-Clips are also available as a kit, see pages 13 & 14.

## Duro Loop Cable Sling

The Duro Loop Cable Sling enhances the Dyna-Tite suspension system by the addition of a pre-looped cable end. Once the wire rope is pulled around the anchor point and through the looped end of the cable, it is already secured at one end, saving time at the jobsite. The remaining wire rope "drop" is passed through a channel in the Dyna-Tite Cable Lock. Then, the wire rope is either wrapped around the ductwork or inserted through a fastening point and back up into the second channel of the same cable lock. The locking teeth inside the cable lock engage the wire rope which secures the ductwork in place.

To ensure maximum safety, use only looped wire rope supplied by Duro Dyne with all cable lock applications.



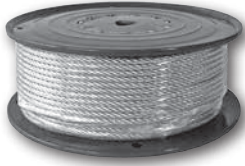
Item #	Code	Description	Quantity
30228	LC5-332	3/32 in. X 5 ft. 1-1/2 in. Looped Cable	10 bags of 10
30229	LC10-332	3/32 in. X 10 ft. 1-1/2 in. Looped Cable	10 bags of 10
30230	LC15-332	3/32 in. X 15 ft. 1-1/2 in. Looped Cable	10 bags of 10
30232	LC25-332	3/32 in. X 25 ft. 1-1/2 in. Looped Cable	5 bags of 10
30233	LC5-18	1/8 in. X 5 ft. 3 in. Looped Cable	10 bags of 10
30234	LC10-18	1/8 in. X 10 ft. 3 in. Looped Cable	10 bags of 10
30235	LC15-18	1/8 in. X 15 ft. 3 in. Looped Cable	10 bags of 10
30237	LC25-18	1/8 in. X 25 ft. 3 in. Looped Cable	5 bags of 10

\* Duro Loop Cable Slings are also available as a kit, see page 13.

# Dyna-Tite Accessories

## Cable Lock Wire Rope

Aviation grade galvanized wire rope supplied by Duro Dyne is manufactured to exacting standards and statistically tested to verify stated breaking strengths. Duro Dyne 1/16 in., 3/32 in., and 1/8 in. wire ropes utilize standard 7x7 construction. 3/16 in. wire rope has 7x19 construction. Duro Dyne recommends only using wire rope supplied by Duro Dyne to ensure maximum safety and integrity of the installation.



Item #	Code	Description	Tolerance	Construction	Packaging
30202	WC3	3/32 in. Wire Rope	+ .012/- .006 in.	7x7	500 ft./roll
30204	WC4	1/8 in. Wire Rope	+ .014/- .007 in.	7x7	500 ft./roll
30206	WC6	3/16 in. Wire Rope	+ .018/- .009 in.	7x19	250 ft./roll

## Custom Cable Counter

The CCC1 makes preparing for your duct hanging project a lot simpler. Take an empty five gallon bucket, put a spool of wire rope in the bottom, put in some boxes of Dyna-Tite cable locks and a cable cutter. Place the CCC1 on top of the bucket and you are ready for the job site. At the job site remove the cable lock boxes and the wire cutter, thread the wire rope through the CCC1 measuring device and you are ready to hang ductwork. Just pull the wire rope to the length needed, cut it and reset the counter.



- Counter displays from 0 feet 0 in. to 9999 feet and 11 in.
- Push Button Reset
- Designed For Use With Duro Dyne Wire Rope
- Fits most 5 gallon buckets

Item #	Code	Description	Qty
30390	CCC1	Custom Cable Counter	1

## Cable Cutter

When cutting wire cable it is important to use a recognized wire cable cutter such as the Duro Dyne cutter detailed here. This will ensure that the form of the rope is maintained prior to insertion in the Dyna-Tite.



- Safety Catch
- 3/16 in. Cutting Capacity
- Spring Loaded For Ease Of Use
- 5 in. Long Handles For High Leverage
- Hardened Steel Blades For Durability
- Vinyl Coated Handles For Comfortable, Non-Slip Grip

Item #	Code	Description	Qty
894075	DTWRC	Cable Cutter	1

## Cable Saddle

Dyna-Tite Cable Saddle is used to protect spiral or rectangular ductwork from the abrasions of cable. The flexible saddle material is available in 25 ft. rolls and is dispensed through an opening in the carton. The smooth lightweight construction provides easy use on the job site and allows for the saddle to be readily cut to length and positioned between the wire rope and the duct.



Item #	Code	Description	Qty
30221	DCS25	Cable Saddle	25 ft. per roll

## Saddle Glue Squares

The self-stick patches are used in conjunction with the Cable Saddle to keep it in position while assembling the wire rope "drops". Each patch has a peel-off release backing to protect the adhesive on both surfaces from contaminants until ready for use.



Item #	Code	Description	Qty
30222	DSGS	Adhesive Patch	50/box

# Dyna-Tite Accessories

## Dyna-Stud

The Dyna-Stud is a heavy duty grade 5 hex head bolt with one end of a super strong aircraft rated cable attached. The bolt is threaded into the expansion anchor without putting stress on the cable. This makes for a much safer and tighter connection. The other end of the cable, in conjunction with the cable lock, is used to attach the object being supported.



Item #	Code	Description	Use With Cable Lock	*Safe Working Load	Packaged
30062	DSA1405-332	1/4 in. Threaded Bolt x 5 ft. 3/32 in. Dyna-Stud Cable	CL12	25-150 lbs.	10/bag-10bg/bx
30063	DSA1410-332	1/4 in. Threaded Bolt x 10 ft. 3/32 in. Dyna-Stud Cable	CL12	25-150 lbs.	10/bag-10bg/bx
30064	DSA1415-332	1/4 in. Threaded Bolt x 15 ft. 3/32 in. Dyna-Stud Cable	CL12	25-150 lbs.	10/bag-10bg/bx
30065	DSA1425-332	1/4 in. Threaded Bolt x 25 ft. 3/32 in. Dyna-Stud Cable	CL12	25-150 lbs.	5/bag-10bg/bx
30066	DSA3805-18	3/8 in. Threaded Bolt x 5 ft. 1/8 in. Dyna-Stud Cable	CL18	25-225 lbs.	10/bag-10bg/bx
			CL23	25-250 lbs.	
30067	DSA3810-18	3/8 in. Threaded Bolt x 10 ft. 1/8 in. Dyna-Stud Cable	CL18	25-225 lbs.	10/bag-10bg/bx
			CL23	25-250 lbs.	
30068	DSA3815-18	3/8 in. Threaded Bolt x 15 ft. 1/8 in. Dyna-Stud Cable	CL18	25-225 lbs.	10/bag-10bg/bx
			CL23	25-250 lbs.	
30069	DSA3825-18	3/8 in. Threaded Bolt x 25 ft. 1/8 in. Dyna-Stud Cable	CL18	25-225 lbs.	5/bag-10bg/bx
			CL23	25-250 lbs.	
Item # 30062 - 30065 come with 1/4 in. drop in.					
Item # 30066 - 30069 come with 3/8 in. drop in.					
*Safe Working Loads are based on a 5:1 Safety Factor					

\* Dyna-Studs are also available as a kit with a Zip-Clip Cable Lock, See page 14.

## Eye Bolt & Nut

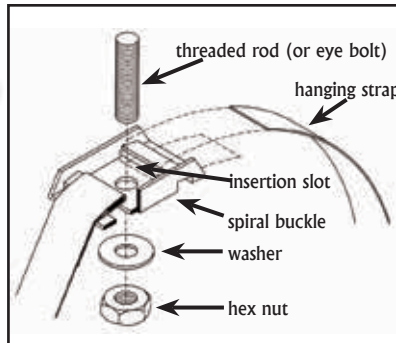
A simple way to provide an anchor point is by using an eye bolt and nut. The eye bolt has a 3/4 in. inside diameter ring to make wire rope attachment easy.



Item #	Code	Description	Qty
30220	DDG3W	Eye Bolt & Nut (3/8 in.-16 x 2-1/2 in.)	100/Box

## Spiral Buckle

The zinc plated 14 gauge Spiral Buckle is designed to suspend round and oval ductwork from ceiling joists or beams with the use of threaded rod up to 3/8 in. diameter. Simply place 1 in. hanging strap in one side of the buckle then around the material and into the other side of the buckle. When the strap is correctly inserted through the slots, the strap is locked into the buckle by the weight of the duct.



Spiral Buckle with threaded rod



Spiral Buckle with eye bolt and the Dyna-Tite Wire Rope Suspension System

Item #	Code	Description	Qty
30340	DSB1	Dyna-Tite Spiral Buckle	50/box



# Dyna-Tite Accessories

## Quik-Twists

Quik-Twists from Duro Dyne are side or vertical mounted fasteners that provide attachment points for steel threaded rods and other assemblies. There are three variations of Quik-Twists; one for penetrating and threading into steel, one for wood, and one for concrete. Each Quik-Twist has a 3/8 in. - 16 threaded hole in the fastener's hex shaped head. Side mounted Quik-Twists have the threaded hole perpendicular to the fastener shaft and passing completely through the fastener head. Vertical mounted Quik-Twists have the threaded hole parallel to the fastener shaft and as deep as the fastener head.

- No pilot hole is needed for wood or steel Quik-Twists; a 1/4 in. pilot hole is required for concrete
- Drill bit is included with concrete Quik-Twists
- All fasteners are zinc plated for corrosion resistance



**Concrete**



**Wood**



**Steel**

Item #	Code	Description	Packaged
30293	SHC38-134	3/8 in. x 1-3/4 in. Concrete Side Quik-Twist* (includes #30250 drill bit and #30253 driver)	100/Ctn.
30294	SHW38-200	3/8 in. x 2 in. Wood Side Quik-Twist (includes #30257 driver)	100/Ctn.
30295	SHS38-200	3/8 in. x 2 in. Steel Side Quik-Twist - drills 20 ga - 3/16 in. thick steel (includes #30257 driver)	100/Ctn.
30296	VHC38-134	3/8 in. x 1-3/4 in. Concrete Vertical Quik-Twist* (includes #30250 drill bit and #30254 driver)	100/Ctn.
30297	VHW38-200	3/8 in. x 2 in. Wood Vertical Quik-Twist (includes #30257 driver)	100/Ctn.
30298	VHS38-200	3/8 in. x 2 in. Steel Vertical Quik-Twist - drills 20 ga - 3/16 in. thick steel (includes #30257 driver)	100/Ctn.
Additional shank lengths and threaded hole sizes available upon request.			
* Remove residue from pre-drilled holes.			

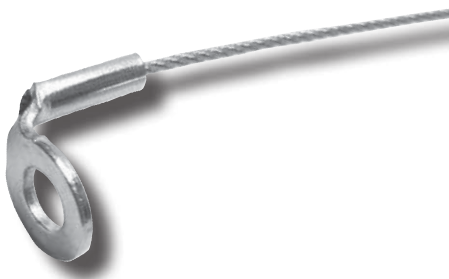
### Quik-Twist Accessories

Item #	Code	Description	Packaged
30250	CDB14-4	1/4" x 4-1/2" Concrete Bit	10/Ctn.
30251	RCS	Receiver/Chuck Sleeve	10/Ctn.
30252	BR14	1/4" Bit Receiver-Concrete	10/Ctn.
30253	CDS	Red Concrete Driver - Side	5/Ctn.
30254	CVD	Black Concrete Driver - Vertical	5/Ctn.
30255	DI38T	3/8" Drop In Anchor Set Tool	10/Ctn.
30256	DI38D	3/8" Drop In Anchor Drill Bit	10/Ctn.
30257	SWR	Driver (Steel & Wood only)	5/Ctn.
30258	DI38	3/8" Drop In Anchor	50/Ctn.
30259	DI14	1/4" Drop In Anchor	50/Ctn.
30260	DI14T	1/4" Drop In Anchor Set Tool	10/Ctn.

# Dyna-Tite Accessories

## 90 Degree Eyelets

Duro Dyne Dyna-Tite eyelets are manufactured of zinc plated cold rolled steel and swaged to the wire rope cable with a hydraulic press. Dyna-Tite Eyelet assemblies are available for installation with either a 1/4 in. or 3/8 in. fastener. They are available both in 45 and 90 degree variations and can also be purchased as a package with the appropriate cable lock.



Item#	Code	Description	Quantity
<b>1/4 in. Eyelets</b>			
30144	9014-33205	90° 1/4 in. Eyelet - 5 ft. x 3/32 in. Cable	10/bag-10bg/ctn
30145	9014-33210	90° 1/4 in. Eyelet - 10 ft. x 3/32 in. Cable	10/bag-10bg/ctn
30146	9014-33215	90° 1/4 in. Eyelet - 15 ft. x 3/32 in. Cable	10/bag-10bg/ctn
30147	9014-33225	90° 1/4 in. Eyelet - 25 ft. x 3/32 in. Cable	5/bag-10bg/ctn
30148	9014-1805	90° 1/4 in. Eyelet - 5 ft. x 1/8 in. Cable	10/bag-10bg/ctn
30149	9014-1810	90° 1/4 in. Eyelet - 10 ft. x 1/8 in. Cable	10/bag-10bg/ctn
30150	9014-1815	90° 1/4 in. Eyelet - 15 ft. x 1/8 in. Cable	10/bag-10bg/ctn
30151	9014-1825	90° 1/4 in. Eyelet - 25 ft. x 1/8 in. Cable	5/bag-10bg/ctn
<b>3/8 in. Eyelets</b>			
30152	9038-33205	90° 3/8 in. Eyelet - 5 ft. x 3/32 in. Cable	10/bag-10bg/ctn
30153	9038-33210	90° 3/8 in. Eyelet - 10 ft. x 3/32 in. Cable	10/bag-10bg/ctn
30154	9038-33215	90° 3/8 in. Eyelet - 15 ft. x 3/32 in. Cable	10/bag-10bg/ctn
30155	9038-33225	90° 3/8 in. Eyelet - 25 ft. x 3/32 in. Cable	5/bag-10bg/ctn
30157	9038-1805	90° 3/8 in. Eyelet - 5 ft. x 1/8 in. Cable	10/bag-10bg/ctn
30158	9038-1810	90° 3/8 in. Eyelet - 10 ft. x 1/8 in. Cable	10/bag-10bg/ctn
30159	9038-1815	90° 3/8 in. Eyelet - 15 ft. x 1/8 in. Cable	10/bag-10bg/ctn
30160	9038-1825	90° 3/8 in. Eyelet - 25 ft. x 1/8 in. Cable	5/bag-10bg/ctn

## 45 Degree Eyelets



Item#	Code	Description	Quantity
<b>1/4 in. Eyelets</b>			
30165	4514-33205	45° 1/4 in. Eyelet - 5 ft. x 3/32 in. Cable	10/bag-10bg/ctn
30166	4514-33210	45° 1/4 in. Eyelet - 10 ft. x 3/32 in. Cable	10/bag-10bg/ctn
30167	4514-33215	45° 1/4 in. Eyelet - 15 ft. x 3/32 in. Cable	10/bag-10bg/ctn
30168	4514-33225	45° 1/4 in. Eyelet - 25 ft. x 3/32 in. Cable	5/bag-10bg/ctn
30169	4514-1805	45° 1/4 in. Eyelet - 5 ft. x 1/8 in. Cable	10/bag-10bg/ctn
30170	4514-1810	45° 1/4 in. Eyelet - 10 ft. x 1/8 in. Cable	10/bag-10bg/ctn
30171	4514-1815	45° 1/4 in. Eyelet - 15 ft. x 1/8 in. Cable	10/bag-10bg/ctn
30172	4514-1825	45° 1/4 in. Eyelet - 25 ft. x 1/8 in. Cable	5/bag-10bg/ctn
<b>3/8 in. Eyelets</b>			
30173	4538-33205	45° 3/8 in. Eyelet - 5 ft. x 3/32 in. Cable	10/bag-10bg/ctn
30174	4538-33210	45° 3/8 in. Eyelet - 10 ft. x 3/32 in. Cable	10/bag-10bg/ctn
30175	4538-33215	45° 3/8 in. Eyelet - 15 ft. x 3/32 in. Cable	10/bag-10bg/ctn
30176	4538-33225	45° 3/8 in. Eyelet - 25 ft. x 3/32 in. Cable	5/bag-10bg/ctn
30177	4538-1805	45° 3/8 in. Eyelet - 5 ft. x 1/8 in. Cable	10/bag-10bg/ctn
30178	4538-1810	45° 3/8 in. Eyelet - 10 ft. x 1/8 in. Cable	10/bag-10bg/ctn
30179	4538-1815	45° 3/8 in. Eyelet - 15 ft. x 1/8 in. Cable	10/bag-10bg/ctn
30180	4538-1825	45° 3/8 in. Eyelet - 25 ft. x 1/8 in. Cable	5/bag-10bg/ctn

# Dyna-Tite Kits

## 90 Degree Eyelets with Cable Lock Kits



**CL12**



**CL18**



**CL23**

Item#	Code	Description	Quantity
<b>1/4 in. Eyelets</b>			
30244	9014K33205-12	90° 1/4 in. Eyelet - 5 ft. x 3/32 in. Cable w/CL12 Lock	10/bag-10bg/ctn
30245	9014K33210-12	90° 1/4 in. Eyelet - 10 ft. x 3/32 in. Cable w/CL12 Lock	10/bag-10bg/ctn
30246	9014K33215-12	90° 1/4 in. Eyelet - 15 ft. x 3/32 in. Cable w/CL12 Lock	10/bag-10bg/ctn
30247	9014K33225-12	90° 1/4 in. Eyelet - 25 ft. x 3/32 in. Cable w/CL12 Lock	5/bag-10bg/ctn
30248	9014K33205-18	90° 1/4 in. Eyelet - 5 ft. x 3/32 in. Cable w/CL18 Lock	10/bag-10bg/ctn
30249	9014K33210-18	90° 1/4 in. Eyelet - 10 ft. x 3/32 in. Cable w/CL18 Lock	10/bag-10bg/ctn
30261	9014K33215-18	90° 1/4 in. Eyelet - 15 ft. x 3/32 in. Cable w/CL18 Lock	10/bag-10bg/ctn
30262	9014K33225-18	90° 1/4 in. Eyelet - 25 ft. x 3/32 in. Cable w/CL18 Lock	5/bag-10bg/ctn
30263	9014K1805-18	90° 1/4 in. Eyelet - 5 ft. x 1/8 in. Cable w/CL18 Lock	10/bag-10bg/ctn
30264	9014K1810-18	90° 1/4 in. Eyelet - 10 ft. x 1/8 in. Cable w/CL18 Lock	10/bag-10bg/ctn
30265	9014K1815-18	90° 1/4 in. Eyelet - 15 ft. x 1/8 in. Cable w/CL18 Lock	10/bag-10bg/ctn
30266	9014K1825-18	90° 1/4 in. Eyelet - 25 ft. x 1/8 in. Cable w/CL18 Lock	5/bag-10bg/ctn
30267	9014K1805-23	90° 1/4 in. Eyelet - 5 ft. x 1/8 in. Cable w/CL23 Lock	10/bag-10bg/ctn
30268	9014K1810-23	90° 1/4 in. Eyelet - 10 ft. x 1/8 in. Cable w/CL23 Lock	10/bag-10bg/ctn
30269	9014K1815-23	90° 1/4 in. Eyelet - 15 ft. x 1/8 in. Cable w/CL23 Lock	10/bag-10bg/ctn
30270	9014K1825-23	90° 1/4 in. Eyelet - 25 ft. x 1/8 in. Cable w/CL23 Lock	5/bag-10bg/ctn
<b>3/8 in. Eyelets</b>			
30271	9038K33205-12	90° 3/8 in. Eyelet - 5 ft. x 3/32 in. Cable w/CL12 Lock	10/bag-10bg/ctn
30272	9038K33210-12	90° 3/8 in. Eyelet - 10 ft. x 3/32 in. Cable w/CL12 Lock	10/bag-10bg/ctn
30273	9038K33215-12	90° 3/8 in. Eyelet - 15 ft. x 3/32 in. Cable w/CL12 Lock	10/bag-10bg/ctn
30274	9038K33225-12	90° 3/8 in. Eyelet - 25 ft. x 3/32 in. Cable w/CL12 Lock	5/bag-10bg/ctn
30275	9038K33205-18	90° 3/8 in. Eyelet - 5 ft. x 3/32 in. Cable w/CL18 Lock	10/bag-10bg/ctn
30276	9038K33210-18	90° 3/8 in. Eyelet - 10 ft. x 3/32 in. Cable w/CL18 Lock	10/bag-10bg/ctn
30277	9038K33215-18	90° 3/8 in. Eyelet - 15 ft. x 3/32 in. Cable w/CL18 Lock	10/bag-10bg/ctn
30278	9038K33225-18	90° 3/8 in. Eyelet - 25 ft. x 3/32 in. Cable w/CL18 Lock	5/bag-10bg/ctn
30279	9038K1805-18	90° 3/8 in. Eyelet - 5 ft. x 1/8 in. Cable w/CL18 Lock	10/bag-10bg/ctn
30280	9038K1810-18	90° 3/8 in. Eyelet - 10 ft. x 1/8 in. Cable w/CL18 Lock	10/bag-10bg/ctn
30281	9038K1815-18	90° 3/8 in. Eyelet - 15 ft. x 1/8 in. Cable w/CL18 Lock	10/bag-10bg/ctn
30282	9038K1825-18	90° 3/8 in. Eyelet - 25 ft. x 1/8 in. Cable w/CL18 Lock	5/bag-10bg/ctn
30283	9038K1805-23	90° 3/8 in. Eyelet - 5 ft. x 1/8 in. Cable w/CL23 Lock	10/bag-10bg/ctn
30284	9038K1810-23	90° 3/8 in. Eyelet - 10 ft. x 1/8 in. Cable w/CL23 Lock	10/bag-10bg/ctn
30285	9038K1815-23	90° 3/8 in. Eyelet - 15 ft. x 1/8 in. Cable w/CL23 Lock	10/bag-10bg/ctn
30287	9038K1825-23	90° 3/8 in. Eyelet - 25 ft. x 1/8 in. Cable w/CL23 Lock	5/bag-10bg/ctn

**For Working Load Limits  
on the Cable Locks  
see page #4.**

# Dyna-Tite Kits

## 45 Degree Eyelets with Cable Lock Kits



**CL12**



**CL18**



**CL23**

Item#	Code	Description	Quantity
<b>1/4 in. Eyelets</b>			
30299	4514K33205-12	45° 1/4 in. Eyelet - 5 ft. x 3/32 in. Cable w/CL12 Lock	10/bag-10bg/ctn
30300	4514K33210-12	45° 1/4 in. Eyelet - 10 ft. x 3/32 in. Cable w/CL12 Lock	10/bag-10bg/ctn
30301	4514K33215-12	45° 1/4 in. Eyelet - 15 ft. x 3/32 in. Cable w/CL12 Lock	10/bag-10bg/ctn
30303	4514K33225-12	45° 1/4 in. Eyelet - 25 ft. x 3/32 in. Cable w/CL12 Lock	5/bag-10bg/ctn
30304	4514K33205-18	45° 1/4 in. Eyelet - 5 ft. x 3/32 in. Cable w/CL18 Lock	10/bag-10bg/ctn
30305	4514K33210-18	45° 1/4 in. Eyelet - 10 ft. x 3/32 in. Cable w/CL18 Lock	10/bag-10bg/ctn
30306	4514K33215-18	45° 1/4 in. Eyelet - 15 ft. x 3/32 in. Cable w/CL18 Lock	10/bag-10bg/ctn
30307	4514K33225-18	45° 1/4 in. Eyelet - 25 ft. x 3/32 in. Cable w/CL18 Lock	5/bag-10bg/ctn
30308	4514K1805-18	45° 1/4 in. Eyelet - 5 ft. x 1/8 in. Cable w/CL18 Lock	10/bag-10bg/ctn
30309	4514K1810-18	45° 1/4 in. Eyelet - 10 ft. x 1/8 in. Cable w/CL18 Lock	10/bag-10bg/ctn
30310	4514K1815-18	45° 1/4 in. Eyelet - 15 ft. x 1/8 in. Cable w/CL18 Lock	10/bag-10bg/ctn
30311	4514K1825-18	45° 1/4 in. Eyelet - 25 ft. x 1/8 in. Cable w/CL18 Lock	5/bag-10bg/ctn
30314	4514K1805-23	45° 1/4 in. Eyelet - 5 ft. x 1/8 in. Cable w/CL23 Lock	10/bag-10bg/ctn
30315	4514K1810-23	45° 1/4 in. Eyelet - 10 ft. x 1/8 in. Cable w/CL23 Lock	10/bag-10bg/ctn
30316	4514K1815-23	45° 1/4 in. Eyelet - 15 ft. x 1/8 in. Cable w/CL23 Lock	10/bag-10bg/ctn
30317	4514K1825-23	45° 1/4 in. Eyelet - 25 ft. x 1/8 in. Cable w/CL23 Lock	5/bag-10bg/ctn
<b>3/8 in. Eyelets</b>			
30319	4538K33205-12	45° 3/8 in. Eyelet - 5 ft. x 3/32 in. Cable w/CL12 Lock	10/bag-10bg/ctn
30320	4538K33210-12	45° 3/8 in. Eyelet - 10 ft. x 3/32 in. Cable w/CL12 Lock	10/bag-10bg/ctn
30321	4538K33215-12	45° 3/8 in. Eyelet - 15 ft. x 3/32 in. Cable w/CL12 Lock	10/bag-10bg/ctn
30322	4538K33225-12	45° 3/8 in. Eyelet - 25 ft. x 3/32 in. Cable w/CL12 Lock	5/bag-10bg/ctn
30323	4538K33205-18	45° 3/8 in. Eyelet - 5 ft. x 3/32 in. Cable w/CL18 Lock	10/bag-10bg/ctn
30326	4538K33210-18	45° 3/8 in. Eyelet - 10 ft. x 3/32 in. Cable w/CL18 Lock	10/bag-10bg/ctn
30327	4538K33215-18	45° 3/8 in. Eyelet - 15 ft. x 3/32 in. Cable w/CL18 Lock	10/bag-10bg/ctn
30328	4538K33225-18	45° 3/8 in. Eyelet - 25 ft. x 3/32 in. Cable w/CL18 Lock	5/bag-10bg/ctn
30329	4538K1805-18	45° 3/8 in. Eyelet - 5 ft. x 1/8 in. Cable w/CL18 Lock	10/bag-10bg/ctn
30331	4538K1810-18	45° 3/8 in. Eyelet - 10 ft. x 1/8 in. Cable w/CL18 Lock	10/bag-10bg/ctn
30332	4538K1815-18	45° 3/8 in. Eyelet - 15 ft. x 1/8 in. Cable w/CL18 Lock	10/bag-10bg/ctn
30333	4538K1825-18	45° 3/8 in. Eyelet - 25 ft. x 1/8 in. Cable w/CL18 Lock	5/bag-10bg/ctn
30334	4538K1805-23	45° 3/8 in. Eyelet - 5 ft. x 1/8 in. Cable w/CL23 Lock	10/bag-10bg/ctn
30335	4538K1810-23	45° 3/8 in. Eyelet - 10 ft. x 1/8 in. Cable w/CL23 Lock	10/bag-10bg/ctn
30342	4538K1815-23	45° 3/8 in. Eyelet - 15 ft. x 1/8 in. Cable w/CL23 Lock	10/bag-10bg/ctn
30343	4538K1825-23	45° 3/8 in. Eyelet - 25 ft. x 1/8 in. Cable w/CL23 Lock	5/bag-10bg/ctn

**For Working Load Limits  
on the Cable Locks  
see page #4.**

# Dyna-Tite Kits

## Starter Kits

The Starter Kit has everything you need to begin hanging ductwork or equipment.



### INCLUDES:

- 1 Roll of 3/32 in. Cable
- 100 CL12 Cable Locks
- 1 Custom Cable Counter Lid (English or Metric) and Bucket
- 1 Cable Cutter

Item #	Code	Description
30394	CL12SK	CL12 Starter Kit in English - with 3/32 in. cable*
30395	CL12KM	CL12 Starter Kit in Metric - with 3/32 in. cable*

\*Working Load Limit depends upon the cable size utilized.

## Looped Cable With Dyna-Tite Cable Lock Kits



For Working Load Limits on the Cable Locks see page #4.

Item#	Code	Description	Quantity Per Ctn.
30185	LC12K5-332	3/32 in. X 5 ft. 1-1/2 in. Looped Cable w/CL12 Lock	10/bag - 10 bags/box
30186	LC12K10-332	3/32 in. X 10 ft. 1-1/2 in. Looped Cable w/CL12 Lock	10/bag - 10 bags/box
30187	LC12K15-332	3/32 in. X 15 ft. 1-1/2 in. Looped Cable w/CL12 Lock	10/bag - 10 bags/box
30188	LC12K25-332	3/32 in. X 25 ft. 1-1/2 in. Looped Cable w/CL12 Lock	5/bag - 10 bags/box
30189	LC18K5-332	3/32 in. X 5 ft. 1-1/2 in. Looped Cable w/CL18 Lock	10/bag - 10 bags/box
30190	LC18K10-332	3/32 in. X 10 ft. 1-1/2 in. Looped Cable w/CL18 Lock	10/bag - 10 bags/box
30191	LC18K15-332	3/32 in. X 15 ft. 1-1/2 in. Looped Cable w/CL18 Lock	10/bag - 10 bags/box
30192	LC18K25-332	3/32 in. X 25 ft. 1-1/2 in. Looped Cable w/CL18 Lock	5/bag - 10 bags/box
30193	LC18K5-18	1/8 in. X 5 ft. 3 in. Looped Cable w/CL18 Lock	10/bag - 10 bags/box
30194	LC18K10-18	1/8 in. X 10 ft. 3 in. Looped Cable w/CL18 Lock	10/bag - 10 bags/box
30195	LC18K15-18	1/8 in. X 15 ft. 3 in. Looped Cable w/CL18 Lock	10/bag - 10 bags/box
30196	LC18K25-18	1/8 in. X 25 ft. 3 in. Looped Cable w/CL18 Lock	5/bag - 10 bags/box
30197	LC23K5-18	1/8 in. X 5 ft. 3 in. Looped Cable w/CL23 Lock	10/bag - 10 bags/box
30198	LC23K10-18	1/8 in. X 10 ft. 3 in. Looped Cable w/CL23 Lock	10/bag - 10 bags/box
30199	LC23K15-18	1/8 in. X 15 ft. 3 in. Looped Cable w/CL23 Lock	10/bag - 10 bags/box
30201	LC23K25-18	1/8 in. X 25 ft. 3 in. Looped Cable w/CL23 Lock	5/bag - 10 bags/box

## Double Zip-Clip Lock With Looped Cable Kits



The Zip-Clip has a Working Load Limit of 220 lbs (100 kg).

Item#	Code	Description	Quantity Per Ctn.
30104	DZCWR5	Double Zip Lock w/5 ft. Loop	10/bag - 10 bags/box
30105	DZCWR10	Double Zip Lock w/10 ft. Loop	10/bag - 10 bags/box
30106	DZCWR15	Double Zip Lock w/15 ft. Loop	10/bag - 10 bags/box
30107	DZCWR25	Double Zip Lock w/25 ft. Loop	5/bag - 10 bags/box

# Dyna-Tite Kits

## Dyna-Stud Kits

The Dyna-Stud is a heavy duty grade 5 hex head bolt with one end of a super strong aircraft rated cable attached. The bolt is threaded into the expansion anchor without putting stress on the cable. This makes for a much safer and tighter connection. The other end of the cable, in conjunction with the cable lock, is used to attach the object being supported.



Item #	Code	Description	Cable Lock	* Safe Working Load	Packaged
30071	DSA3805ZC	3/8 in. Threaded Bolt x 5 ft. Dyna-Stud Cable with Zip-Clip	Zip-Clip	25-220 lbs.	10/bag-10bg/bx
30072	DSA3810ZC	3/8 in. Threaded Bolt x 10 ft. Dyna-Stud Cable with Zip-Clip	Zip-Clip	25-220 lbs.	10/bag-10bg/bx
30073	DSA3815ZC	3/8 in. Threaded Bolt x 15 ft. Dyna-Stud Cable with Zip-Clip	Zip-Clip	25-220 lbs.	10/bag-10bg/bx
30074	DSA3825ZC	3/8 in. Threaded Bolt x 25 ft. Dyna-Stud Cable with Zip-Clip	Zip-Clip	25-220 lbs.	5/bag-10bg/bx
Item # 30071 - 30074 come with 3/8 in. drop in and Zip-Clip.					
*Safe Working Loads are based on a 5:1 Safety Factor					



With Zip-Clip

## Recommendations & Precautions

As a matter of sound engineering practice, the Dyna-Tite assembly must be located no closer than 12 in. to the suspension point. In the case of round duct, where the wire rope encircles the duct, the Dyna-Tite must be located the distance of one diameter from the duct wall. Adherence to these minimum clearances will distribute the load the most efficiently among all duct hanging components.

- **TO ENSURE HANGING SYSTEM INTEGRITY AND SAFETY:** Use only Duro Dyne wire rope.
- **TO FACILITATE HEIGHT ADJUSTMENT:** Install the object low and adjust it upwards to the desired level.
- **DO NOT EXCEED THE WORKING LOAD LIMIT (WLL) OF THE PRODUCT:** Each product is load rated and incorporates a minimum safety factor of 5:1. This WLL takes into account the specification criteria of the Dyna-Tite Cable Lock and the wire rope.
- **DO NOT USE ON COATED WIRE ROPE:** It is important to maintain the metal to metal contact between the locking pawls in the Dyna-Tite and the wire rope.
- **DO NOT APPLY PAINT OR OTHER COATING:** to any part of the assembly as these may impair the free movement of the locking pawls inside the Dyna-Tite Cable Lock.
- **DO NOT APPLY LUBRICANT:** to any part of the assembly as this will alter the surface nature of the wire rope and attract dirt and debris.
- **DO NOT USE FOR LIFTING:** (UNDER HOOK SLINGS) This product is designed for static load applications only.
- **KEEP THE PRODUCT CLEAN AND FREE FROM DIRT:** Any dirt should be removed from the product prior to assembly.
- **INSPECT PERIODICALLY:** Upon inspection, discard and replace if worn, distorted, or damaged.
- **REMOVE DAMAGED WIRE ENDS:** Using a designated pair of wire rope cutters prior to inserting into the Dyna-Tite Cable Lock.
- **WHEN INSTALLING DURO DYNE DYNA-TITE CABLE ATTACHMENTS:** to buildings or equipment careful consideration must be made to the attachment method and the material being attached to. It is the responsibility of the installer for the proper selection, installation and appropriateness of the attachment to the job specifications and any codes. Duro Dyne can give general guidance, but any questions regarding this should ultimately be directed to the project engineer of the job.

## Testing

All Dyna-Tites have been independently tested to five times their allowable working load by one or more of the following independent laboratories:

**RADCO Inc, Long Beach CA  
New York Testing Laboratories**

**SMACNA Testing and Research Institute  
Underwriters Laboratories**

All Dyna-Tites have been tested to UL 1598 and are listed under File# E246601.



**LISTED**  
Luminaire Fitting  
14HE



Please Visit Our Website  
[www.durodyne.com](http://www.durodyne.com)  
for the most current product information.



**DURO  
DYNE**

© 2013 Duro Dyne Corp.  
Printed in USA 3/2013  
BD030405

Duro Dyne East Division, Bay Shore, NY	631-249-9000	Fax: 631-249-8346
Duro Dyne Midwest Division, Fairfield, OH	513-870-6000	Fax: 513-870-6005
Duro Dyne West Division, Santa Fe Springs, CA	562-926-1774	Fax: 562-926-5778
Duro Dyne Canada, Lachine, Quebec, Canada	514-422-9760	Fax: 514-636-0328
<a href="http://www.durodyne.com">www.durodyne.com</a> E-mail: <a href="mailto:durodyne@durodyne.com">durodyne@durodyne.com</a>		