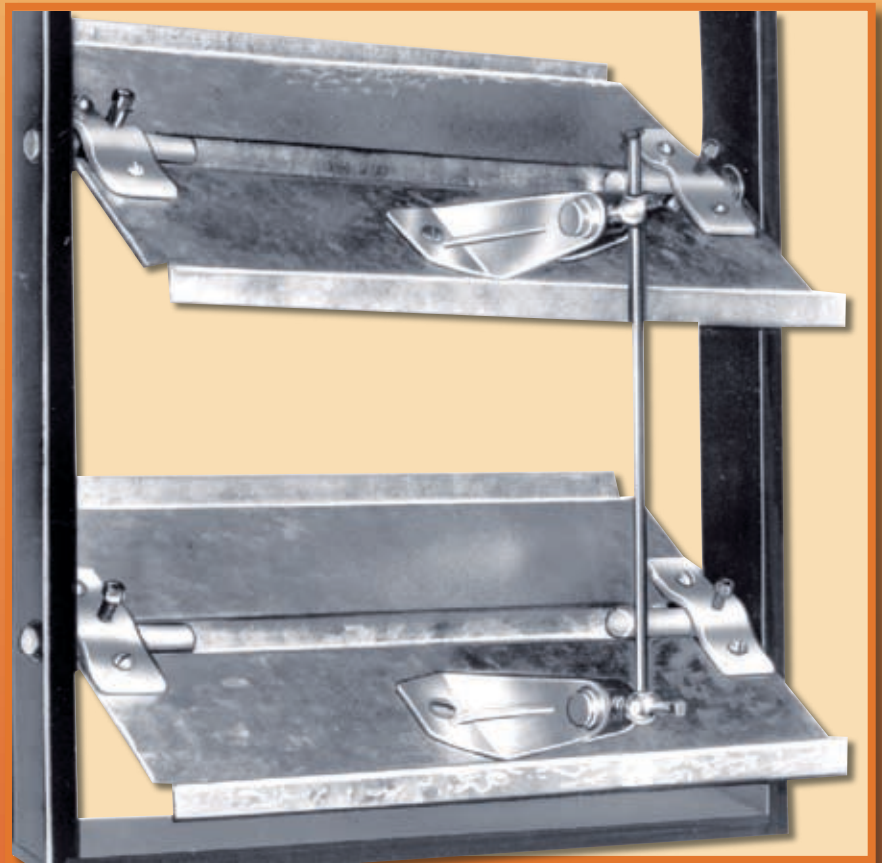
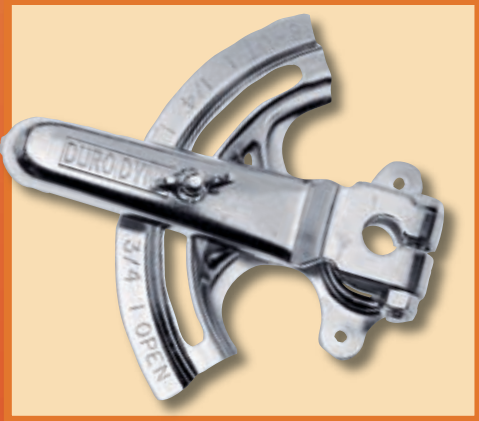
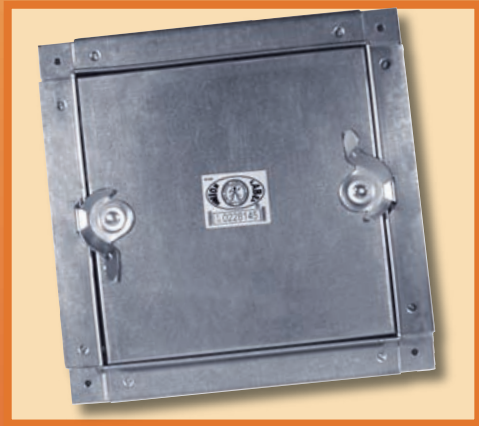




# AIR REGULATION CONTROL EQUIPMENT



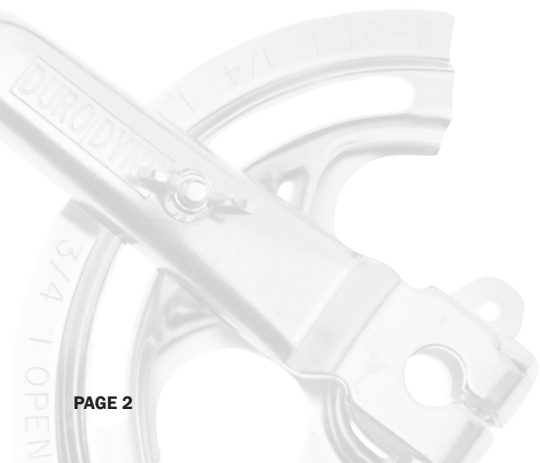
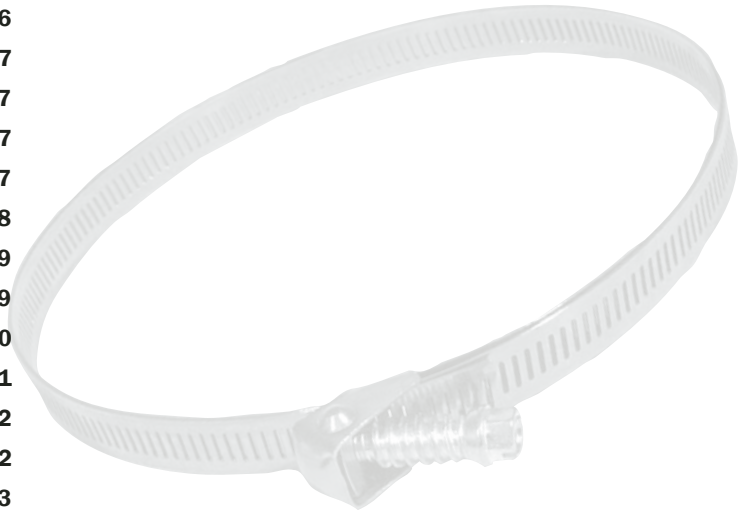
# PRODUCT CATALOG



# TABLE OF CONTENTS

---

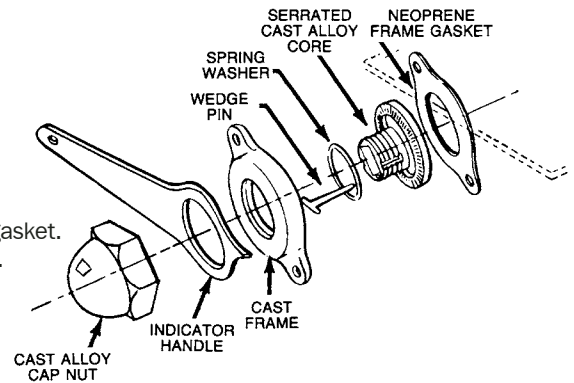
SPECLINE DAMPER PARTS .....	3-4
STANDOFF REGULATORS.....	5-6
QUADLINE DAMPER QUADRANTS.....	6-7
SPEC SEAL DAMPER REGULATOR .....	7
QUAD SEAL.....	7
UNIVERSAL REGULATOR.....	7
STAMPLINE REGULATORS .....	8
END BEARINGS.....	9
JIFFY DAMPERS.....	9
HAMMER ON DAMPER HARDWARE & ACCESSORIES.....	10
MULTI-BLADE DAMPER HARDWARE.....	11
BLADE EDGING.....	12
SIDE SEALS.....	12
MULTI-BLADE DAMPER PARTS .....	12-13
ACCESS DOORS.....	14
ACCESS DOOR LOCKING DEVICES.....	15
INSTRUMENT TEST PORT .....	15
PRESSURE SENSITIVE GASKETING .....	15
PIANO HINGES.....	16
BUTT HINGES / 'T' HINGES.....	16
FIRE DAMPER HARDWARE .....	16
HANGING STRAP .....	16
DYN-O-TIES .....	17
DYN-O-TIE GUN.....	17
STAINLESS STEEL DYN-O-TIES.....	17
STAINLESS STEEL DYNA-CLAMPS™ .....	17
STAINLESS STEEL PARTS.....	18-19



# SPECLINE™ DAMPER REGULATORS

## MINIMUM LEAKAGE DAMPER REGULATORS

Specline Regulators are designed for minimum leakage applications. Each regulator is comprised of a frame, an indicator handle, a serrated cast alloy core and a cast alloy nut. Serrations on the cast alloy core mesh with serrations in the frame to firmly lock the regulator in position. A spring washer situated between the core and the cast frame allows for smooth non-binding adjustment. A wedge pin is used to eliminate rattle and take up slack between the regulator and the damper shaft.



- All SR and SRH type regulators include a cast alloy frame and a neoprene frame gasket.
- The SRHS and SRS utilize a stamped frame and include a neoprene frame gasket.

## INDICATOR STYLE REGULATOR SET WITH HEX NUT AND ACORN NUT

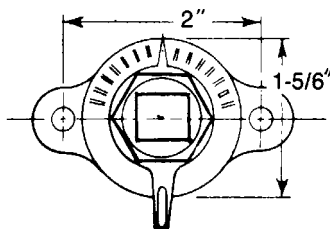
Regulator Height 5/8"



SRH-Series

- Cast Alloy
- Heavy Mounting Gasket
- Heavy Stamped Handle
- Hex Nut

Cast Alloy Heavy Mounting Gasket



Regulator Height 1-3/8"



SR-Series

### INDICATOR STYLE CAST

ITEM#	MODEL	SHAFT SIZE & NUT
8010	SRH240	1/4" Hex Nut
8012	SRH280	3/8" Hex Nut
8014	SRH220	1/2" Hex Nut
8001	SR140	1/4" Acorn Nut
8003	SR380	3/8" Acorn Nut
8005	SR120	1/2" Acorn Nut
Packed 10 Per Carton		

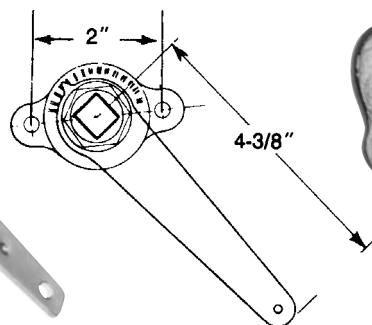
## HANDLE REGULATOR SET WITH HEX NUT AND ACORN NUT

Regulator Height 5/8"

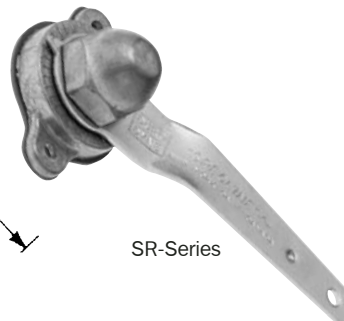


SRH-Series

- Cast Alloy Body
- Heavy Stamped Handle
- Hex Nut



Regulator Height 1-3/8"



SR-Series

### HANDLE SET CAST

ITEM#	MODEL	SHAFT SIZE & NUT
8011	SRH248	1/4" Hex Nut
8013	SRH288	3/8" Hex Nut
8015	SRH228	1/2" Hex Nut
8002	SR148	1/4" Acorn Nut
8004	SR388	3/8" Acorn Nut
8006	SR128	1/2" Acorn Nut
Packed 10 Per Carton		

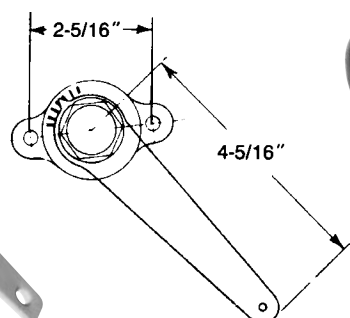
## HANDLE STYLE (STAMPED) REGULATOR SET WITH HEX NUT & ACORN NUT

Regulator Height 5/8"

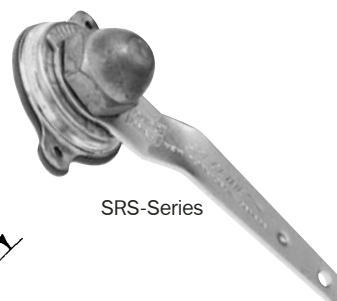


SRHS-Series

- Stamped Frame
- Heavy Stamped Handle
- Solid Die Cast Core
- Hex Nut



Regulator Height 1-3/8"



SRS-Series

### HANDLE SET (STAMPED)

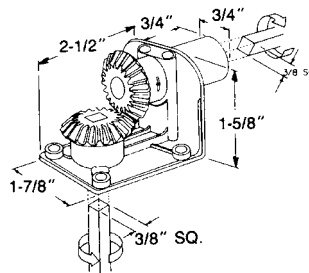
ITEM#	MODEL	SHAFT SIZE & NUT
8016	SRHS148	1/4" Hex Nut
8017	SRHS388	3/8" Hex Nut
8018	SRHS128	1/2" Hex Nut
8022	SRS148	1/4" Acorn Nut
8023	SRS388	3/8" Acorn Nut
8024	SRS128	1/2" Acorn Nut
Packed 10 Per Carton		

# SPECLINE™ DAMPER REGULATORS (CONTINUED)

## 90° ANGLE DRIVE DIE CAST MITRE GEAR ASSEMBLY



Will accommodate 3/8" square rod from duct

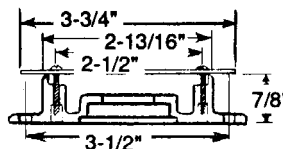
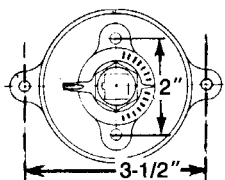


90° ANGLE DRIVE		
ITEM#	MODEL	DESCRIPTION
8135	AD38	Mitre Gear Assembly
Packed 5 Per Carton		

## CONCEALED STYLE REGULATOR SET WITH HEX NUT



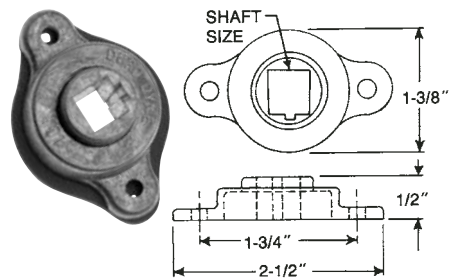
Attractive cast alloy housing with a corrosion resistant plated cover



CONCEALED		
ITEM#	MODEL	SHAFT SIZE
8007	SRC140	1/4" sq.
8008	SRC380	3/8" sq.
8009	SRC120	1/2" sq.
Packed 5 Per Carton		

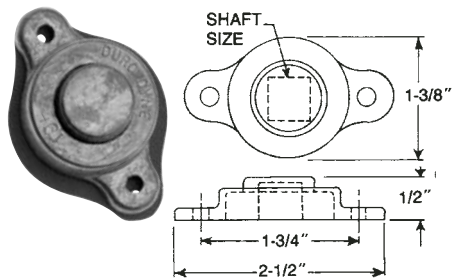
## SPECLINE PARTS AND ACCESSORIES

### OPEN END BEARING CAST ALLOY



OPEN END		
ITEM#	MODEL	SHAFT SIZE
8025	SB114	1/4" sq.
8027	SB138	3/8" sq.
8029	SB112	1/2" sq.
Packed 25 Per Carton		

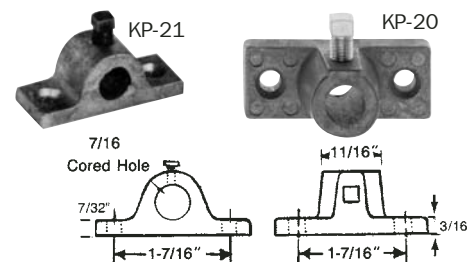
### CLOSED END BEARING CAST ALLOY



CLOSED END		
ITEM#	MODEL	SHAFT SIZE
8026	SB314	1/4" sq.
8028	SB338	3/8" sq.
8030	SB312	1/2" sq.
Packed 25 Per Carton		

### DAMPER AND DEFLECTOR CASTINGS

Damper And Deflector Castings control 3/8" round rod where rod is used to operate dampers. Either type can be used.



CASTINGS		
ITEM#	MODEL	Description
8037	KP20	Damper Casting
8038	KP21	Deflector Casting
Packed 100 Per Carton		

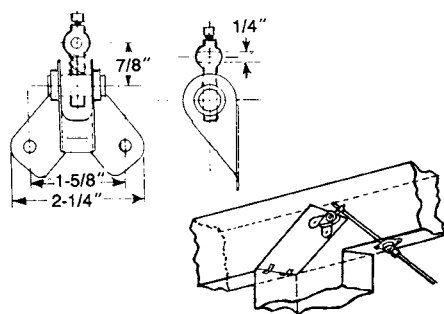
### SPLITTER DAMPER BRACKET

Steel Bracket, Brass Pivot



SPLITTER DAMPER		
ITEM#	MODEL	SHAFT SIZE
8034	SRP40	1/4"
8035	SRP50	5/16"
Packed 25 Per Carton		

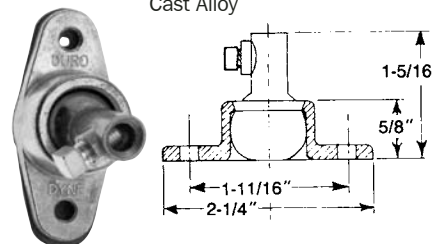
### SPLITTER DAMPER HARDWARE



Typical Application Using Ball Joint and Damper Bracket

### BALL JOINT DAMPER CASTING

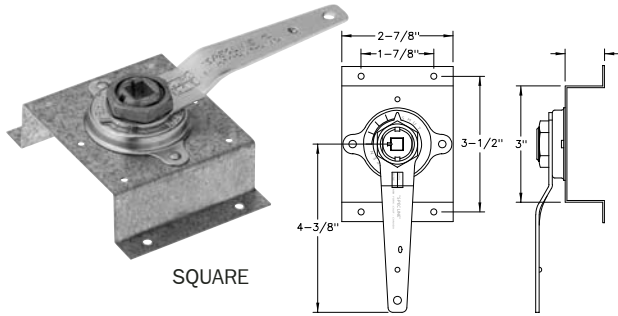
Cast Alloy



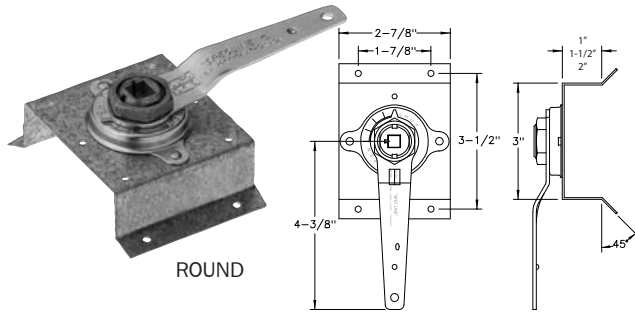
BALL JOINT		
ITEM#	MODEL	SHAFT SIZE
8032	SRP14	1/4"
8033	SRP516	5/16"
Packed 25 Per Carton		

# STANDOFF REGULATORS

## STANDOFF WITH *STAMPLINE* REGULATOR



SQUARE



ROUND

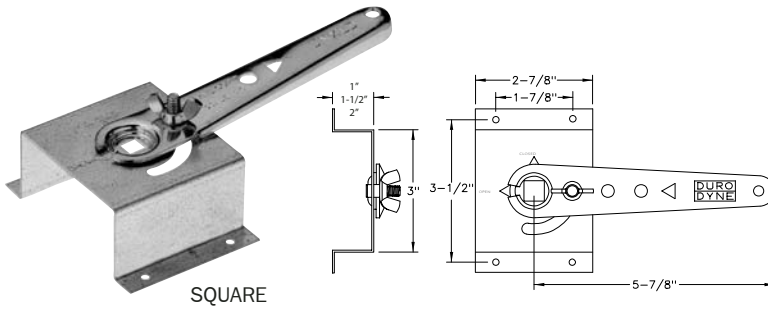
SRST SERIES FOR SQUARE DUCT			
ITEM#	MODEL	SHAFT SIZE	STAND HEIGHT
8184	SRST 1-148 w/SRHS-148	1/4" sq.	1"
8318	SRST 1-1/2-148 w/SRHS-148	1/4" sq.	1-1/2"
8196	SRST 2-148 w/SRHS-148	1/4" sq.	2"
8019	SRST 1-388 w/SRHS-388	3/8" sq.	1"
8020	SRST 1-1/2-388 w/SRHS-388	3/8" sq.	1-1/2"
8021	SRST 2-388 w/SRHS-388	3/8" sq.	2"
8208	SRST 1-128 w/SRHS-128	1/2" sq.	1"
8384	SRST 1-1/2-128 w/SRHS-128	1/2" sq.	1-1/2"
8177	SRST 2-128 w/SRHS-128	1/2" sq.	2"

Packed 10 Per Carton.

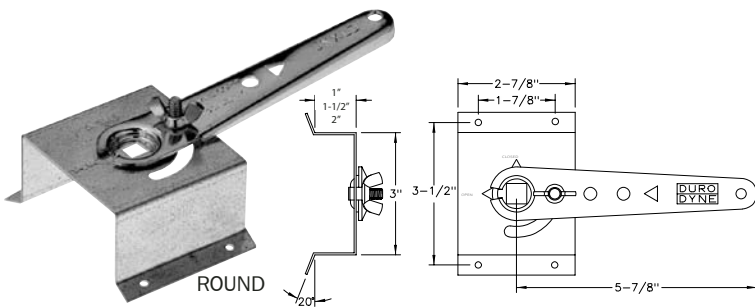
SRST SERIES FOR ROUND DUCT			
ITEM#	MODEL	SHAFT SIZE	STAND HEIGHT
7353	SRST1R-148 w/SRHS-148	1/4" sq.	1"
7354	SRST1-1/2R-148 w/SRHS-148	1/4" sq.	1-1/2"
7355	SRST2R-148 w/SRHS-148	1/4" sq.	2"
7350	SRST1R-388 w/SRHS-388	3/8" sq.	1"
7351	SRST1 1/2R-388 w/SRHS-388	3/8" sq.	1-1/2"
7352	SRST2R-388 w/SRHS-388	3/8" sq.	2"
7356	SRST1R-128 w/SRHS-128	1/2" sq.	1"
7357	SRST1-1/2R-128 w/SRHS-128	1/2" sq.	1-1/2"
7358	SRST2R-128 w/SRHS-128	1/2" sq.	2"

Packed 10 Per Carton.

## STANDOFF WITH ECONOMY HANDLE



SQUARE



ROUND

ESO SERIES FOR SQUARE DUCT			
ITEM#	MODEL	SHAFT SIZE	STAND HEIGHT
7201	ESO-14-100	1/4" sq.	1"
7203	ESO-14-150	1/4" sq.	1-1/2"
7205	ESO-14-200	1/4" sq.	2"
7207	ESO-38-100	3/8" sq.	1"
7209	ESO-38-150	3/8" sq.	1-1/2"
7211	ESO-38-200	3/8" sq.	2"
7213	ESO-12-100	1/2" sq.	1"
7215	ESO-12-150	1/2" sq.	1-1/2"
7217	ESO-12-200	1/2" sq.	2"

Seal Kits Sold Separately. Packed 10 Per Carton.

ESO SERIES FOR ROUND DUCT			
ITEM#	MODEL	SHAFT SIZE	STAND HEIGHT
7202	ESO14R-100	1/4" sq.	1"
7204	ESO14R-150	1/4" sq.	1-1/2"
7206	ESO14R-200	1/4" sq.	2"
7208	ESO38R-100	3/8" sq.	1"
7210	ESO38R-150	3/8" sq.	1-1/2"
7212	ESO38R-200	3/8" sq.	2"
7214	ESO12R-100	1/2" sq.	1"
7216	ESO12R-150	1/2" sq.	1-1/2"
7218	ESO12R-200	1/2" sq.	2"

Seal Kits Sold Separately. Packed 10 Per Carton.

## SEAL FOR STANDOFF WITH ECONOMY HANDLE



SES0-38-114

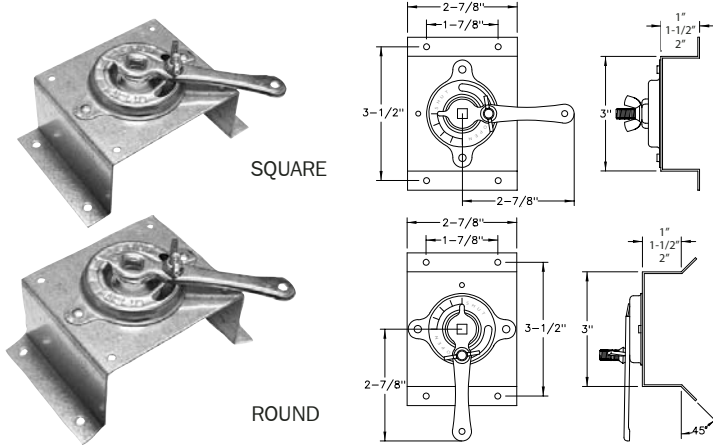
ESO SEAL		
ITEM#	MODEL	FOR USE WITH STAND HEIGHT
7240	SES0-14-114	1"
7241	SES0-14-134	1-1/2"
7242	SES0-14-214	2"
7243	SES0-38-114	1"
7244	SES0-38-134	1-1/2"
7245	SES0-38-214	2"
7246	SES0-12-114	1"
7247	SES0-12-134	1-1/2"
7248	SES0-12-214	2"

Seal is always 1/4" larger for tighter seal.

# STANDOFF REGULATORS

(CONTINUED)

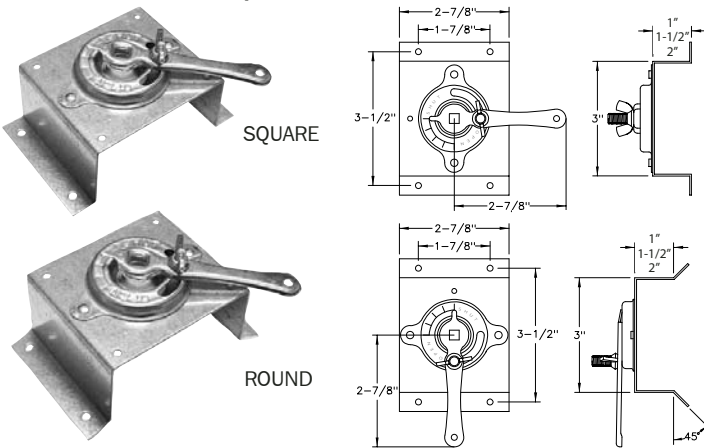
## STANDOFF WITH 1/4" DIAL REGULATOR



K2 SERIES FOR SQUARE DUCT			
ITEM#	MODEL	SHAFT SIZE	STAND HEIGHT
7364	K2-1	1/4" sq.	1"
7365	K2-150	1/4" sq.	1-1/2"
7366	K2-2	1/4" sq.	2"
Packed 10 Per Carton.			

K2 SERIES FOR ROUND DUCT			
ITEM#	MODEL	SHAFT SIZE	STAND HEIGHT
7362	K2R-1	1/4" sq.	1"
8197	K2R-150	1/4" sq.	1-1/2"
7363	K2R-2	1/4" sq.	2"
Packed 10 Per Carton.			

## STANDOFF WITH 3/8" DIAL REGULATOR



*KR Series available in stainless steel. See page 18.*

KR SERIES FOR SQUARE DUCT			
ITEM#	MODEL	SHAFT SIZE	STAND HEIGHT
8304	KR3-1	3/8" sq.	1"
8310	KR3-150	3/8" sq.	1-1/2"
7360	KR3-2	3/8" sq.	2"
Packed 10 Per Carton.			

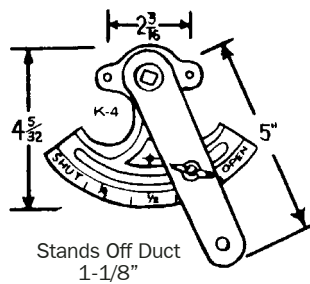
KR SERIES FOR ROUND DUCT			
ITEM#	MODEL	SHAFT SIZE	STAND HEIGHT
7361	KR3R-1	3/8" sq.	1"
8366	KR3R-150	3/8" sq.	1-1/2"
7359	KR3R-2	3/8" sq.	2"
Packed 10 Per Carton.			

# QUADLINE DAMPER QUADRANTS

SETS AND PARTS

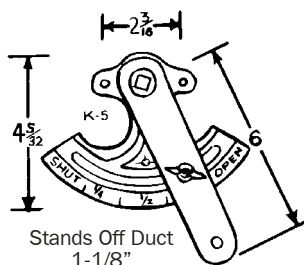
These heavy gauge plated steel quadrants are designed with excellent handle action as well as quick wing nut adjustment and locking of the damper. The frame is marked to show the exact position of the damper. For use on square or round ducts.

## 3/8" QUADRANT SETS (FOR DAMPERS UP TO 20")



3/8" QUADRANT SETS		
ITEM#	MODEL	SET CONSISTS OF:
8050	KS38	K-4 quadrant; KP-9R round end bearing; KP-9S square end bearing
8051	KS385	K-4 quadrant; KP-7 spring loc bearing; KP-9S long square end bearing
8049	KS385L	K-4 quadrant; KP-7L long spring loc bearing; KP-9L long square end bearing
Packed 1 Set Per Carton		
8059	K4	3/8" quadrant only
Packed 100 per Carton		

## 1/2" QUADRANT SETS (FOR DAMPERS UP TO 30")



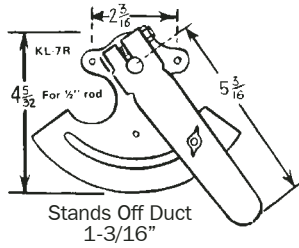
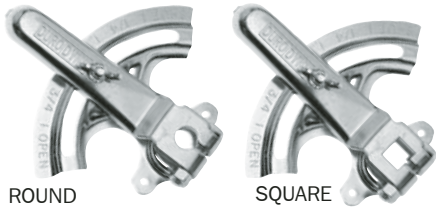
1/2" QUADRANT SETS		
ITEM#	MODEL	SET CONSISTS OF:
8052	KS12	K-5 quadrant; KP-10R round end bearing; KP-10S square end bearing
Packed 1 Set Per Carton		
8060	K5	1/2" quadrant only
Packed 100 per Carton		

# QUADLINE DAMPER QUADRANTS

SETS AND PARTS (CONTINUED)

## 1/2" SHAFT LOC QUADRANT SETS (FOR DAMPERS UP TO 30")

"**Shaft Loc**" Quadrants are stamped of heavy gauge steel and clearly indicate the position of the damper. The quadrant handle (available for either 1/2" square or round shafts) is unique in that it locks the shaft of the damper to it by means of a powerful friction holding device strong enough to cut into the damper shaft eliminating damper rattle. The shaft is easily locked with 1/2" open end wrench. Available for square or round ducts.



1/2" SHAFT LOC QUADRANT SETS		
ITEM#	MODEL	SHAFT DESCRIPTION
8063	KL7	1/2" square Shaft loc quadrant
8064	KL7R	1/2" round Shaft loc quadrant
Packed 100 Per Carton		

## SPEC-SEAL™

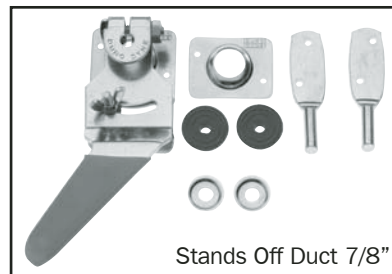
### DAMPER REGULATOR

The Spec-Seal Regulator utilizes a special rubber seal for applications up to 500°F constant temperature. It eliminates leakage and rattle via the Shaft Loc Mechanism in high pressure systems. The handle's unique design utilizes a highly-visible orange plastic cover showing the damper position. This unit, made of heavy-gauge, zinc-plated steel, is made in four styles to accommodate 3/8" and 1/2" round or square bearing shafts. It is also available in stainless steel for use with 1/2" square bearing shafts. Individual parts available upon request.

Select items available in stainless steel. See page 18.

#### Each Set Consists of:

- Regulator
- 2 Rubber Seals
- 2 Metal Washers
- 2 End Bearings
- End Bearing Support



Stands Off Duct 7/8"

SPEC-SEAL™		
ITEM#	MODEL	BEARING TYPE
8153	AL38	3/8" Square
8154	AL38R	3/8" Round
8158	AL38L	3/8" Square Long
8150	AL12	1/2" Square
8152	AL12R	1/2" Round
8157	AL12L	1/2" Square Long
8333	ALN38	3/8" Square
8334	ALN38R	3/8" Round
8335	ALN12	1/2" Square
8336	ALN12R	1/2" Round
Quantity per carton: 10 sets		
*8333-8336 DO NOT INCLUDE END BEARINGS		

## QUAD SEAL™

### SELF FORMING SILICONE GASKET

Quad Seal works in conjunction with Spec-Seal hardware, flexible duct connector, air regulators, quadrants, test-ports, screws or any other applications requiring an airtight gasket seal. Quad Seal is 100% RTV Silicone Rubber and has a continuous temperature rating from -60°F to 500°F. Its automatic dispensing system eliminates mess and minimizes waste.

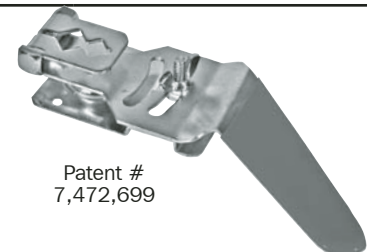
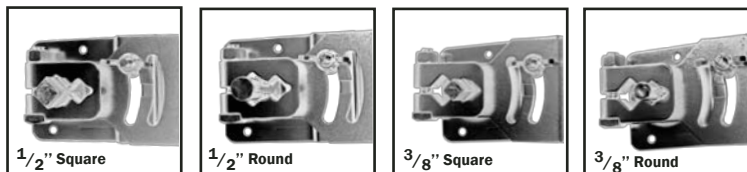


QUAD SEAL™		
ITEM#	MODEL	QTY PER CARTON
8159	QS85	12

## UNIVERSAL REGULATOR™

- Universal - one regulator for 3/8" and 1/2"; round or square rods.
- Clamp on handle for snug and rattle free fit to bearing or rod.
- Unique "quick set up" handle allows shift from 1/2" to 3/8" without disassembling the regulator.
- **Shaft loc** mechanism to eliminate rattle
- High visibility handle; shows damper direction.
- Heavy gauge, zinc plated steel.
- Optional Seal Kit - available for low leakage applications.
- Available in Stainless Steel-quotation upon request.

UNIVERSAL REGULATOR		
ITEM#	CODE	DESCRIPTION
8270	MSR03812	3/8 & 1/2" Multisize Regulator Only
8155	SK38	MSRO 3/8" SEAL KIT
8156	SK12	MSRO 1/2" SEAL KIT
Quantity per carton: 10		



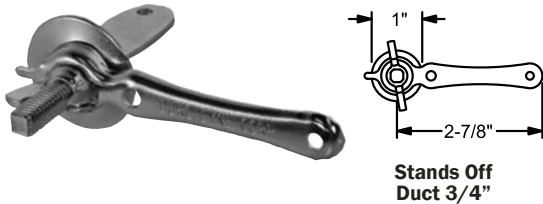
Patent # 7,472,699

# STAMPLINE REGULATORS

## FOR CONTROLLING SMALL DAMPERS

### 1/4" "JIFFY" REGULATOR SETS (FOR DAMPERS UP TO 10")

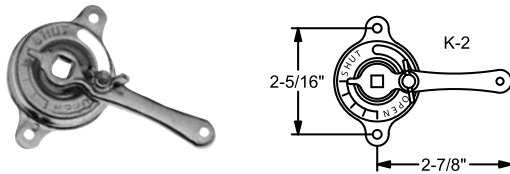
These efficient, low cost, heavy gauge, plated steel regulators install in a "jiffy" by slipping the washer and handle over the threaded square end bearing. The wing nut locks the damper in position. The position of the handle indicates the position of the damper in the duct. For use on round or square ducts.



1/4" "JIFFY" REGULATOR SETS		
ITEM#	MODEL	SET CONSISTS OF
8039	KS7	KP5 1/4" threaded bearing, handle; KP-6 spring loc bearing, bevelled wingnut & washer
8046	KS7L	KP5L 1/4" long threaded bearing, handle; KP-6L long spring loc bearing, bevelled wingnut & washer
Packed 10 Per Carton; 10 cartons per box.		
8102	JB1	KP5 1/4" threaded bearing, handle; wingnut & washer
8220	JB1L	KP5L 1/4" long threaded bearing, handle; wingnut & washer
8295	JB1XL	KP5XL 1/4" extra long threaded bearing, handle; wingnut & washer
Packed 100 Per Carton.		

### 1/4" DIAL REGULATOR SETS AND BEARINGS (FOR DAMPERS UP TO 10")

These heavy gauge plated steel regulators are among the most popular on the market. They minimize air leakage and reduce rattle. A wing nut locks the damper in position, yet permits quick readjustment. The dial shows the damper position at a glance. The regulator mounts easily on round or square ducts.

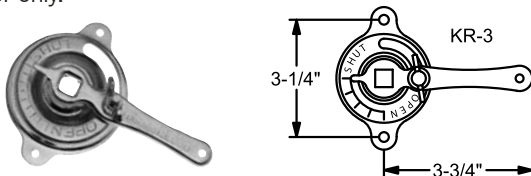


1/4" DIAL REGULATOR SETS		
ITEM#	MODEL	SET CONSISTS OF
8040	KS14	K-2 regulator; KP-8S square end bearing; KP-8R round end bearing
8041	KS145	K-2 regulator; KP-6 spring loc bearing; KP-8S square end bearing
8047	KS145L	K-2 regulator; KP-6L long spring loc bearing; KP-8L long square end bearing
7384	KS145XLS	K-2 regulator; KP-6 spring loc bearing; KP-8XL extra long square end bearing
Packed 10 Per Carton; 10 cartons per box.		
8056	K2	1/4" regulator only
Packed 100 Per Carton.		

## FOR CONTROLLING LARGER DAMPERS

### 3/8" DIAL REGULATOR SETS AND END BEARINGS (FOR DAMPERS UP TO 20")

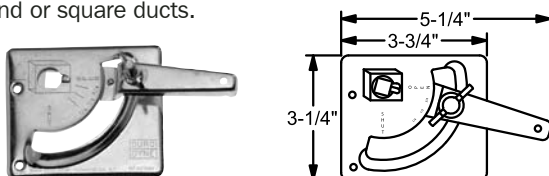
The following sets and parts are the same as the 1/4" size shown above except designed for larger dampers. The 3/8" bearings and regulator are suitable to use on round as well as square duct. Clear markings on the regulator indicate the damper position which can be locked securely by a wing nut. Also available in stainless steel regulator only.



3/8" dial regulator available in stainless steel. See page 18.		
3/8" DIAL REGULATOR SETS		
ITEM#	MODEL	SET CONSISTS OF
8044	KSR19	KR-3 regulator; KP-9R round end bearing; KP-9S square end bearing
8045	KSR195	KR-3 regulator; KP-7 spring loc bearing; KP-9S square end bearing
8139	KSR195L	KR-3 regulator; KP-7L long spring loc bearing; KP-9L long square end bearing
7383	KSR195XLS	KR-3 regulator; KP-7 spring loc bearing; KP-9XL extra long square end bearing
Packed 1 Set Per Carton		
8058	KR3	3/8" dial regulator only
Packed 100 Per Carton		

### 3/8" "WEDGE LOC" REGULATOR SETS (FOR DAMPERS UP TO 20")

This attractive rectangular regulator features exclusive "Wedge Loc" action which firmly locks the bearing to the regulator handle when the damper is set – preventing rattling. Heavy construction, minimum air leakage and easy adjustability make this ideal for large dampers in round or square ducts.



3/8" WEDGE 'LOC' REGULATOR SETS		
ITEM#	MODEL	SET CONSISTS OF
8042	KS19	K-3 regulator; KP-9R round end bearing; KP-9S square end bearing
8043	KS195	K-3 regulator; KP-7 spring loc bearing; KP-9S square end bearing
8048	KS195L	K-3 regulator; KP-7L long spring loc bearing; KP-9L long square end bearing
Packed 1 Set Per Carton		
8057	K3	3/8" wedge loc regulator only
Packed 100 Per Carton		



# END BEARINGS

(PACKED 100 PER CARTON)

Select items available in stainless steel. See page 19.



SPRING LOC		
ITEM#	MODEL	APPROX. DIM.
8065	KP6	1/4" x 2"
8066	KP7	3/8" x 2-11/16"



SPRING LOC LONG		
ITEM#	MODEL	APPROX. DIM.
8241	KP6L	1/4" x 3-1/4"
8242	KP7L	3/8" x 3-3/4"



ROUND		
ITEM#	MODEL	APPROX. DIM.
8067	KP8R	1/4" x 1-1/8"
8070	KP9R	3/8" x 1-1/8"
8073	KP10R	1/2" x 1-1/4"
8180	KP10RL	1/2" x 2-1/4"



1/4" SQUARE THREADED		
ITEM#	MODEL	APPROX. DIM.
8075	KP5	1/4" x 1-1/8"
8076	KP5L	1/4" x 2-1/8"
8079	KP5XL	1/4" x 3-1/8"



1/4" SQUARE		
ITEM#	MODEL	APPROX. DIM.
8068	KP8S	1/4" x 1-1/8"
8069	KP8L	1/4" x 2-1/8"
8077	KP8XL	1/4" x 3-1/8"

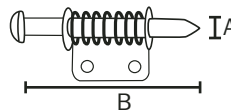


3/8" SQUARE		
ITEM#	MODEL	APPROX. DIM.
8071	KP9S	3/8" x 1-1/8"
8072	KP9L	3/8" x 2-1/8"
8247	KP9XL	3/8" x 3-1/8"



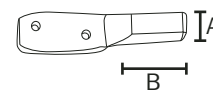
1/2" SQUARE		
ITEM#	MODEL	APPROX. DIM.
8074	KP10S	1/2" x 1-1/4"
8179	KP10L	1/2" x 2-1/4"

Spring Loc Example  
KP6 #8065:



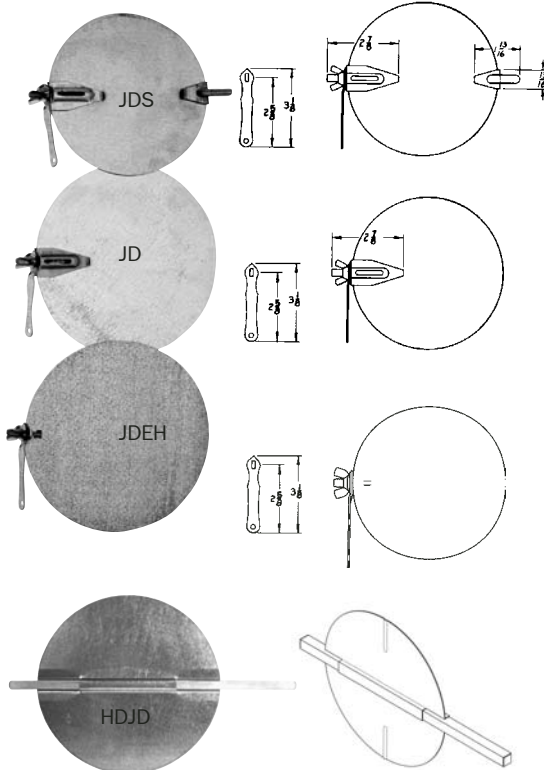
ITEM#	APPROX. DIM.
8065	1/4"(A) x 2"(B)

Round Example  
KP8R #8067:



ITEM#	APPROX. DIM.
8067	1/4"(A) x 1-1/8"(B)

# JIFFY DAMPERS



The "JDS" Series Jiffy Damper offers the contractor a quality round damper at a cost lower than most shop-made dampers. The Duro Dyne JDS series utilizes quality Rapit Spring and Rapit Solid End Bearing sets. (Packed 10 per carton only.)

The "JD" Series Jiffy Damper offers added economy in those applications where a supporting solid tail bearing is not required on the damper. The Duro Dyne JD Damper utilizes one Rapit Spring End Bearing. (Packed 10 per carton only.)

The "JDEH & JDE" Series Jiffy Damper offers an inexpensive alternative for low pressure applications. The Duro Dyne Economy Damper utilizes one threaded stud as a support bearing. Available with handle or without. (Packed 100 per carton only.)

The Heavy Duty Jiffy Damper (HDJD) offers an economical alternative in shop damper fabrication. It is manufactured of 22 gauge galvanized steel blades and comes pre-assembled. The 3/8" square rod extends 3 inches beyond the blade. The HDJD is compatible with Duro Dyne's ESO damper regulator assembly. (Packed 10 per carton only.)

JIFFY DAMPERS		
ITEM#	MODEL	FOR DUCT SIZE DIA.
8092	JDS4	4"
8093	JDS5	5"
8094	JDS6	6"
8095	JDS7	7"
8096	JDS8	8"
8097	JDS9	9"
8137	JDS10	10"
8098	JD4	4"
8099	JD5	5"
8100	JD6	6"
8101	JD7	7"
8146	JD8	8"
8231	JD9	9"
8140	JD10	10"
7111	*JDE6	6"
7120	**JDE6H	6"
7163	HDJD6	6"
7164	HDJD7	7"
7165	HDJD8	8"
7166	HDJD9	9"
7167	HDJD10	10"
7168	HDJD12	12"

\*JDE and JDEH series dampers available in other sizes  
\*\*JDEH series dampers contain handles

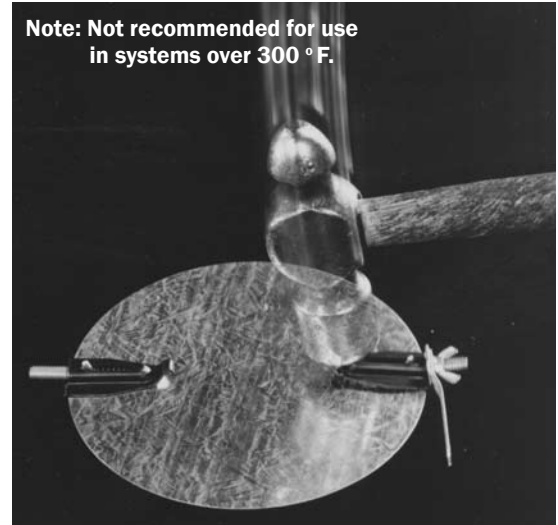
# HAMMER ON DAMPER HARDWARE & ACCESSORIES-

## 'RAPIT'<sup>™</sup> DAMPER REGULATOR

The **RAPIT** is an inexpensive, rattle-free regulator for quick installation on balance or splitter dampers. It is formed from rust-resistant, heavy gauge, galvanized steel and installs in seconds. The Rapit will penetrate and secure to round or rectangular damper blades up to 24 gauge steel. It has a fully retractable bearing of zinc alloy, threaded to accept a 5/16-18 wing nut and a handle that indicates the damper position. It's as easy to use as 1-2-3.

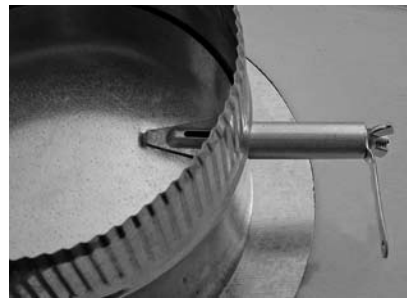
1. Slip the bearing over the edge of the damper at the bearing line.
2. Lay the assembly on any firm surface and rap the prong with a hammer. One blow drives the prong through the damper blade, holding it securely to the damper.
3. When hit with a hammer, the prong will automatically form up tight by the anvil, which is built into the bottom of the "Rapit" Bearing.

**Note: Not recommended for use in systems over 300 °F.**

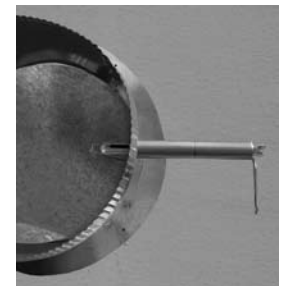


## SLIDE RAPIT EXTENSION

The Slide Rapit Extension provides a fast method for extending the length of a rapit spring end bearing 2". There is no need for tools; just twist the extension fork over the threaded bearing and slip the sleeve over the joint. Slide Rapit Extensions can also be combined to accommodate liner thicker than 2".



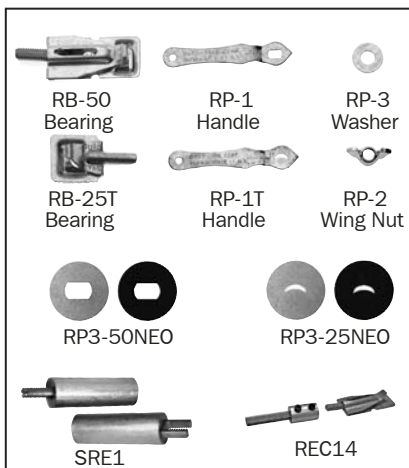
2" extension



Two combined Slide Rapit extensions

### RAPIT REGULATOR SETS

ITEM#	MODEL	CONSISTS OF:	PACKAGING
8087	RB56	1 RB-50 Rapit spring bearing; 1 RP-3 washer; 1 RP-2 wing nut	20 sets per carton 100 sets per master ctn.
8086	RS156	1 RB-50 Rapit spring bearing; 1 RP-3 washer; 1 RP-1 handle; 1 RP-2 wing nut	10 sets per carton 100 sets per master ctn.
8085	RS256	2 RB-50 Rapit spring bearings; 1 RP-3 washer; 1 RP-1 handle; 1 RP-2 wing nut	10 sets per carton 100 sets per master ctn.
8233	RS356	1 RB-50 Rapit spring bearing; 1 RB-25T threaded Rapit solid bearing; 1 RP-3 washer; 1 RP-1 handle; 1 RP-2 wing nut	10 sets per carton 100 sets per master ctn.



### RAPIT REGULATOR PARTS

ITEM#	MODEL	DESCRIPTION	PACKAGING
8088	RB50	Rapit spring bearing	100 per carton
8201	RB25T	Threaded Rapit solid bearing	100 per carton.
8089	RP1	Rapit handle	100 per carton
8198	RP1T	Rapit handle for RB-25T threaded bearing	100 per carton
8090	RP2	Rapit wing nut	100 per carton
8091	RP3	Rapit washer	100 per carton
7190	RP3-50NEO	RB50 Washer with Neoprene	100 per carton
7191	RP3-25NEO	RB25 Washer with Neoprene	100 per carton
7378	SRE1	Slide Rapit Extension	100 per carton
7388	REC14	1/4" Square Rapit Extension 2-3/4" long	10 per carton

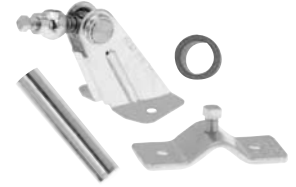
# MULTI-BLADE DAMPER HARDWARE

## NEVA-BIND™ DURO BLADE KIT FOR PARALLEL DAMPERS

Duro Dyne's "NEVA-BIND" Linkage Bracket will always align itself to assure smooth, non-binding operation even on the heaviest damper blades. Above, or at unequal distance from the blade axis, it is capable of adjusting itself all four ways, in-out, up-down, sideways and rotation. Each carton contains all necessary hardware for one blade of a parallel multi-blade damper.



PARALLEL		
ITEM#	MODEL	BEARING SIZE
2001	BK1	7/16" ID.
2002	BK2	1/2" ID.

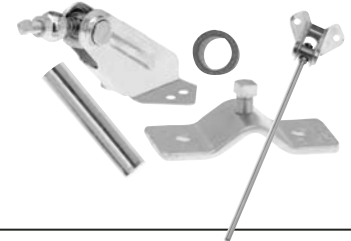


## OPAX® BLADE KIT FOR OPPOSED ACTION DAMPERS

Opposed Action Dampers minimize turbulence and the control of the air is more linear. Neva-Bind, 4 way self-adjustability which Duro Dyne "OPAX" kits feature, automatically compensates for any construction inaccuracies as well as maintaining linear operation and critical dimensions between linkage points. "OPAX" provides opposed action of damper blades and holds the blades rigidly in position eliminating rattle or flutter. These linkage kits contain all the necessary hardware for two opposed action damper blades.



OPPOSED		
ITEM#	MODEL	BEARING SIZE
2003	BK03	7/16" ID.
2004	BK04	1/2" ID.



## DAMPER ASSEMBLY UTILIZING SHOP MATERIALS

### A. MAKING THE FRAME

(Same for both parallel and opposed dampers)

- Cut a piece of channel for the frame 1/4" less than the duct size, for clearance.
- SIDE FRAME:**
  - Mark off 5/16" from each end.
  - Divide the section inside these marks into as many parts as there are blades required.
  - Mark for each pivot at the center of each blade section (b).
  - Drill or punch a 5/8" hole at each pivot (c). Insert self-oiling bushings (tap fit).
- Weld the sides and bottoms of the frames. Be sure to keep them square.
- On large frames weld on corner braces to keep the frame square. Place any braces on the side of the frame which will not interfere with blade movement. Attach top and bottom end stops, if required. Cement felt, if required, with insulation adhesive.

### B. MAKING THE BLADES

Same for both parallel and opposed dampers

#### 1. Material:

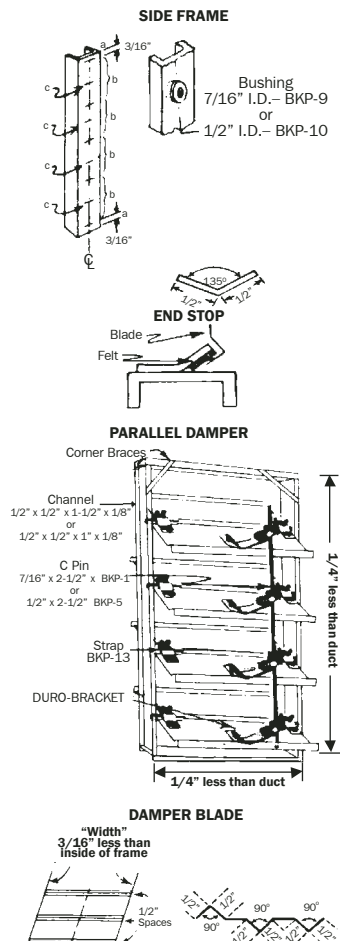
Gauge	Blade Width	Activating Brackets Required per blade
20	to 36"	1
16	to 48"	1 or 2
12	to 52"	2

#### 2. CUT:

- "WIDTH" dimension 3/16" less than the inside of frame.
- "HEIGHT" dimension: Allow for approximately 7/8" "shrinkage" due to forming; approximately 1/4" blade overlap; approximately 3/16" end clearance to frame.

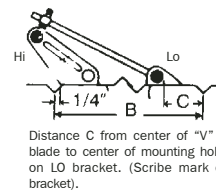
#### 3. MARK:

Mark the blades as shown and bend on the scribe lines.



### C. MOUNTING THE HARDWARE "OPAX" HARDWARE

Attach the brackets as shown in drawing "B". (Always drive a "lo" blade, never a "hi" blade.)



Dimension "B"	Distance "C"
5"	1"
6"	1-3/16"
7"	1-1/4"
8"	1-5/16"
9"	1-3/8"
10"	1-3/8"
11"	1-7/16"
12"	1-1/2"

### PARALLEL HARDWARE

Attach the brackets at the center of blade.



Lean bracket here, against the edge of the "V"

### DURO-BRACKET



OPPOSED DAMPER "B"

### D. ASSEMBLING THE DAMPER

- Lay the damper frame flat on the bench.
- Place the blades inside the frame in the approximate required position (correct overlap, etc.)
- Place 2 bearing pins in each center blade groove.
- Slide the pins under the straps (loosen the set-screws) and into the frame. Tighten the strap set-screws.
- Attach all linkage rods.

# BLADE EDGING

Black Damper Blade Edging



White Vinyl



Grey Vinyl



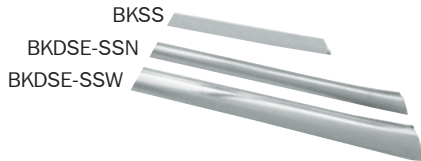
Stainless Steel



## DAMPER BLADE EDGINGS

ITEM#	MODEL	DESCRIPTION
2150	BKDBE1	Black Damper Blade Edging - Bulb Seal
2151	BKDBE2	White Vinyl
2156	BKDBE3	Grey Vinyl
2153	BKDBE-SSE	Stainless Steel

# SIDE SEALS



## STAINLESS STEEL SIDE SEALS

ITEM#	MODEL	DESCRIPTION
2077	BKSS	Side Seal
2154	BKDSE-SSN	Side Edging 1-1/2"
2155	BKDSE-SSW	Side Edging 2.59"

*\*For large runs, custom punched designs available upon request*

# MULTI-BLADE DAMPER PARTS

(All steel parts are Zinc or Cadmium Plated)  
ALL PACKED 100 PER CARTON UNLESS NOTED

Select items available in stainless steel. See page 19.

## BLADE BRACKETS

Standard Bracket as supplied in BK-1 and BK-2 Parallel Kits.



### STANDARD BRACKETS

ITEM#	MODEL	ROD SIZE
2005	BKP814	1/4"
2006	BK856	5/16"
2007	BKP838	3/8"



### HIGH BRACKETS

ITEM#	MODEL	DESCRIPTION
2008	BKP22	High Bracket as supplied in Opax Blade Kits BKO-3 and BKO-4
2011	BKP25	High Bracket (not Neva-Bind) with Brass Pivot & Steel Set Screw (Not Shown)



### LO BRACKETS

ITEM#	MODEL	DESCRIPTION
2009	BKP23	Lo Bracket and Linkage Rod as supplied in Opax Blade Kits
2010	BKP24	Lo Bracket (not Neva-Bind) with Brass Pivot & Steel Set Screw (Not Shown)

## STRAPS

BKP13



### STANDARD & SET SCREW

ITEM#	MODEL	DESCRIPTION
2016	BKP13	Strap and set screws

BKP71



### SELF ALIGN & SET SCREW

ITEM#	MODEL	DESCRIPTION
2025	BKP71	Self-aligning strap and set screws. "V" groove does not deform blade.

BKHS38



### HAT BRACKET

ITEM#	MODEL	DESCRIPTION
2075	BKHS38	3/8" Hat Bracket 22ga

## PIVOT & SET SCREW

BKP36



BKP34



### PIVOT

ITEM#	MODEL	DESCRIPTION
2135	BKP36	1/4-28 Brass Pivot Fully Tapped
2133	BKP34	1/4-28 Brass Pivot Half Tapped

BKP35



### SET SCREW

ITEM#	MODEL	DESCRIPTION
2134	BKP35	1/4-28x1/2" Set Screw

## BUSHINGS



### BUSHINGS

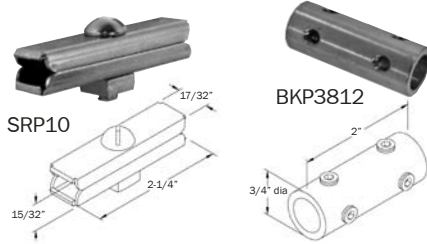
ITEM#	MODEL	DESCRIPTION
2012	BKP9	Bronze Bushings 7/16" dia. ID. as supplied in BK-1 Parallel Blade Kits and BKO-3 Opax Kits.
2013	BKP10	Bronze Bushings 1/2" dia. ID. as supplied in BK-2 Parallel Blade Kits and BKO-4 Opax Kits.
2240	BKP80	Plastic Bushing 1/4" dia. ID. is designed for use with KP6 & KP6L Spring Loc Bearings Only.
2241	BKP81	Plastic Bushing 1/4" sq. ID.
2242	BKP82	Plastic Bushing 3/8" dia. ID. is designed for use with KP7 & KP7L Spring Loc Bearings Only.
2243	BKP83	Plastic Bushing 3/8" sq. ID.
2079	BKP64	Plastic Bushing 1/2" dia. ID.
2244	BKP84	Plastic Bushing 1/2" sq. ID.
2014	BKP14	Ball Bearing Bushing 7/16" ID.

# MULTI-BLADE DAMPER PARTS (CONTINUED)

(All steel parts are Zinc or Cadmium Plated)  
**ALL PACKED 100 PER CARTON UNLESS NOTED**

Select items available in stainless steel. See page 19.

## ROD COUPLING



ROD COUPLING		
ITEM#	MODEL	DESCRIPTION
8031	SRP10	3/8" Rod Coupling
Sold 12 Per Carton		
2239	BKP3812	3/8" Square to 1/2" Round Rod Coupling
Sold 50 Per Carton		

## STANDARD PINS



STANDARD PINS		
ITEM#	MODEL	DESCRIPTION
2017	BKP1	7/16" diameter pin 2-1/2" long
2019	BKP5	1/2" diameter pin 2-1/2" long
2018	BKP2	7/16" diameter pin 6" long
2020	BKP6	1/2" diameter pin 6" long

## MILLED & DRILLED PINS



MILLED & DRILLED PINS		
ITEM#	MODEL	DESCRIPTION
2076	BKP116	1/2" diameter, 6" long, milled and drilled pin
2108	BKP115	1/2" diameter, 5" long, milled and drilled pin
Sold 50 Per Ctn.		
2115	BKP113	1/2" diameter, 3 1/2" long, milled and drilled pin
Sold 100 Per Ctn.		

## ROUND TO SQUARE PINS

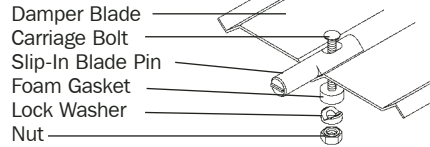


ROUND TO SQUARE PINS		
ITEM#	MODEL	DESCRIPTION
2022	BKP4	7/16" diameter to 1/2" square, 6" long
2023	BKP7	1/2" diameter to 1/2" square, 6" long
2024	BKP70	7/16" diameter to 3/8" square, 6" long
Sold 50 Per Ctn.		
2063	BKP8	1/2" diameter to 3/8" square, 4" long
Sold 100 Per Ctn.		

## SLIDE PINS

With Duro Dyne's complete line of Damper Slide Pins (10 in all), nearly every configuration requirement can be satisfied. Duro Dyne's Damper Blade Slide Pin selection provides a low cost alternative to damper hardware such as straps, set screws and solid pins. Installation is as easy as 1-2-3.

1. Punch a hole in the Damper Blade
2. Position a Pin on the Blade
3. Lock the pin in position by tightening 1/4" hex nut after sliding the pin into the damper bushing.



SLIDE PINS		
ITEM#	MODEL	APPROX. PIN SIZE
2094	DBP1A	7/16" diameter and 1/2" diameter slide pin, 5/8" Length.
2067	DBP1	Damper Blade Pin only



SLIDE PINS		
ITEM#	MODEL	APPROX. PIN SIZE
2221	RDBP100A	1/2" Round Pin 1" Long
2222	RDBP150A	1/2" Round Pin 1 1/2" Long
2223	RDBP200A	1/2" Round Pin 2" Long

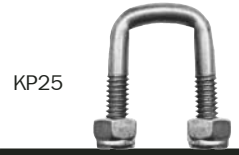


SLIDE PINS		
ITEM#	MODEL	APPROX. PIN SIZE
2215	SDBP100A	3/8" Sq. Pin 1" Long
2216	SDBP150A	3/8" Sq. Pin 1 1/2" Long
2217	SDBP200A	3/8" Sq. Pin 2" Long



SLIDE PINS		
ITEM#	MODEL	APPROX. PIN SIZE
2218	HDBP100A	7/16" Hex Pin 1" Long
2219	HDBP150A	7/16" Hex Pin 1 1/2" Long
2220	HDBP200A	7/16" Hex Pin 2" Long

## ROD CLIPS



ROD CLIPS (U-BOLTS)		
ITEM#	MODEL	DESCRIPTION
8053	KP25	3/8" Damper Rod Clips
8054	KP26	1/2" Damper Rod Clips
8055	KP27	5/8" Damper Rod Clips

## CRANK ARMS



CRANK ARM		
ITEM#	MODEL	DESCRIPTION
8185	CAC212L	6" arm; 1/4" slot width



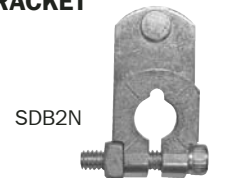
CRANK ARM		
ITEM#	MODEL	DESCRIPTION
8183	CAC212S	1/2" short shaft

## CONTROL SWIVEL

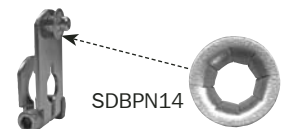


CONTROL SWIVEL		
ITEM#	MODEL	DESCRIPTION
8186	DSC516	Fits 1/4" & 5/16" Rods

## SIDE LINKAGE BRACKET



LINKAGE BRACKET		
ITEM#	MODEL	DESCRIPTION
2116	SDB2N	3/8" Side Linkage Bracket Assembly



PUSH PIN NUT		
ITEM#	MODEL	DESCRIPTION
2350	SDBPN14	1/4" Push Pin Nut for SDB2N Bracket

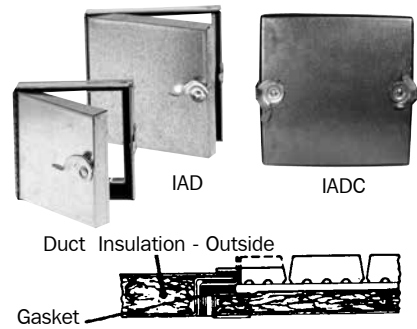
# ACCESS DOORS

Duro Dyne Access Doors provide convenient access to the inside of ductwork for testing and cleaning purposes. All doors are manufactured with an integral frame for minimal leakage. They are offered in a variety of sizes and styles for multiple applications including high pressure, ductboard applications and more.

## INSULATED ACCESS DOORS

The IAD Door has been designed to create an airtight seal utilizing a moisture, oil and grease resistant neoprene gasketing between the door to the frame and the frame to the duct. The door panel is constructed out of 24 gauge galvanized steel and is filled with a 1" 1-1/2 lb. fiberglass insulation (K factor .26+.03@75°F). The frame is 24 gauge galvanized steel with punched steel tabs along each side, which locks the frame into the ductwork. Smaller frame corner tabs make installation easy. Double camlock latches are used on doors 14" and larger. 12" and smaller have one camlock. Special models and sizes can be fabricated with multiple walls of steel or see-through panels or Cam-Lock only style.

**Standard Sizes:**  
(Installation Note: All holes should be cut 1-1/8" smaller than the door.)



## YELLOW LABEL INSULATED ACCESS DOORS

The YIAD Access Door is similar in specifications to the standard Insulated Access Door but is manufactured by industrial workers in the sheet metal union.



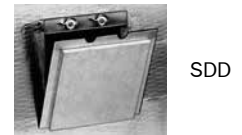
## SELF STICK ACCESS DOORS

Duro Dyne HSAD & CSAD access doors feature a self stick frame for easy application. Simply size and cut the hole, peel the release paper off the frame, press the door onto the ductwork and secure with screws. They are easy to position with no frame "dove tails" to align and bend. Self Stick Access Doors are manufactured of 24 gage galvanized steel and feature a one inch wide gasketed frame, 1" thick fiberglass insulation. They have been tested to 10"SP with minimal leakage when properly installed.



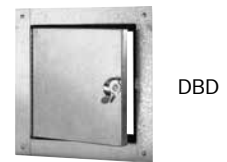
## S-SYSTEM DUCT BOARD ACCESS DOORS

S-System Access Doors are available for 1" Ductboard Applications. They are manufactured of 22 gauge galvanized steel and feature two zinc plated locking cams, 1" Ductboard Insulation and 1/4" thick x 3/4" wide closed cell vinyl gasketing.



## DUCT BOARD ACCESS DOORS

Duro Dyne's DBD Series Door is an insulated access door specifically designed for quick and easy installation onto ductboard. Simply cut the appropriate size hole in the duct, remove the release paper from the adhesive strip on the door, and press the door into position. Complete the installation by pushing the nails provided through the eight holes in the frame and capping them with the speed nuts, also provided, on the inside of the duct.

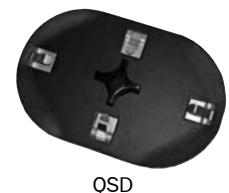


	INSULATED ACCESS DOORS		YELLOW LABEL INSULATED ACCESS DOORS TAB STYLE		YELLOW LABEL INSULATED ACCESS DOORS SELF STICK STYLE		S-SYSTEM DUCT BOARD ACCESS DOOR	DUCT BOARD ACCESS DOOR
	Hinged (IAD)	Cam Only (IADC)	Hinged (YIAD)	Cam Only (YIADC)	Hinged (HSAD)	Cam Only (CSAD)	(SDD)	(DBD)
6x6	8230	8385	7082	7091	7310	7320	•	•
8x8	8168	8386	7083	7092	7311	7321	•	36066
10x10	8169	8387	7084	7093	7312	7322	36080	36067
12x12	8170	8388	7085	7094	7313	7323	36081	36068
14x10	8171	8390	•	•	•	•	•	36069
14x14	8167	8389	7086	7095	7314	7324	•	•
16x16	8172	8391	7087	7096	7315	7325	•	36070
18x12	•	•	•	•	7316	7326	•	•
18x18	8173	8392	7088	7097	7317	7327	•	36071
20x20	8174	8393	7089	7098	7318	7328	•	•
24x24	8175	8394	7090	7099	7319	7329	•	•

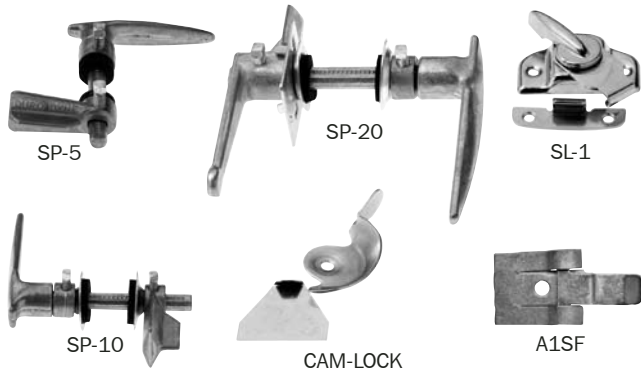
## QSD ACCESS DOORS

Duro Dyne QSD access doors fit all sizes of spiral duct from 10" diameter and larger. This provides an easy solution when you may not know the duct size prior to arrival on the job site such as in duct cleaning. The proprietary foam gasket ensures a tight seal and QSD Doors have been designed and tested for positive static pressure applications up to 8" WG. Sold 10 per box.

QSD ACCESS DOOR		
ITEM#	MODEL	DESCRIPTION
7300	QSD1006	10x6 Quick Snap Door



# ACCESS DOOR LOCKING DEVICES



ACCESS DOORS LOCKING DEVICES					
ITEM#	MODEL	SHAFT LENGTH	SHAFT SIZE	MAXIMUM DOOR THICKNESS	QTY. PER CTN.
8105	SP5	2"	1/4" dia.	1 3/8"	25
8106	SP10	3"	3/8" dia.	1 1/2"	10
8107	SP20	4"	1/2" dia.	2"	10
8138	CAM-LOCK				100
8108	SL1				25
8182	A1SF				100

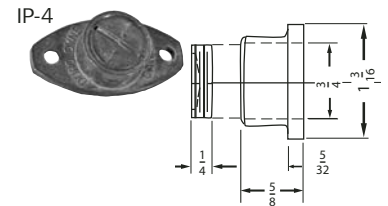
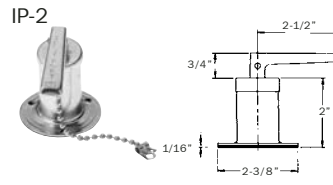
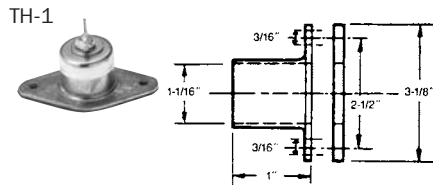
THE DIMENSIONS SHOWN ARE NORMAL AND SUBJECT TO STANDARD MANUFACTURING TOLERANCES.

**Cam Lock available in stainless steel. See page 18.**

# INSTRUMENT TEST PORT

The **Instrument Test Port** has a durable cast zinc alloy construction with a heavy gauge zinc plated cap. Its Neoprene Expansion Plug can withstand up to 180°F and has resisted pressures up to 90 psi when installed. The TH-1 accommodates 1" of insulating materials and has an inside diameter of 1-1/16". The IP-2 accommodates 2" of insulation material and has an inside diameter of 1-1/8". The IP-4 offers a 3/4" diameter access to the air stream. All are designed for high velocity systems. A flat neoprene mounting gasket is supplied. However, for maximum protection against leakage, we recommend using Quad Seal.

INSTRUMENT TEST PORT		
ITEM#	MODEL	QTY PER CARTON
8036	TH1	25
8398	IP2	25
8340	IP4	25



# PRESSURE SENSITIVE GASKETING



GASKETING COMPARISON CHART			
	VINYL FOAM (PVC)	URETHANE	NEOPRENE
<b>Color</b>	Light Gray	Charcoal Gray	Black
<b>Type</b>	Close Cell	Open Cell	Close Cell
<b>Density</b>	8 lbs./cu.ft.	2 lbs./cu.ft.	4-5.5 lbs./cu.ft.
<b>Water Absorption by % weight</b>	Low	High	Low
<b>Temp. Range (constant)</b>	- 40 - 180°	- 30 - 225°	- 20 - 175°
<b>Temp. Range (intermit.)</b>	- 40 - 200°	- 30 - 250°	- 20 - 225°
<b>Ultimate Tensile Strength (Typical Properties) PSI</b>	30 PSI	13 - 50 PSI	90 PSI
<b>Elongation (Typical Properties) %</b>	150%	175%	150%
<b>K Factor</b>	0.24 - 0.28	0.22 - 0.23	0.26
<b>Flame Resistance</b>		UL94HF1	UL94HF1
<b>U.L. Test#</b>		UL94HF1	UL94HF1
<b>ASTM Desig.</b>	D-1667	D-1564; D-1056-73	D-1056-68
<b>Adhesive</b>	Direct-Coated Adhesive	Bonded Adhesive Film	Bonded Adhesive Film
<b>General Information</b>	Good Weatherability; High-Pressure Seal; Fungi Resistant.	Low-Pressure Seal; Unaffected by Grease, Mildew, Fungus, Aromatic Oils; Low-Heat Transfer.	Excellent Weatherability; High-Pressure Seal; Unaffected by Grease, Mildew, Ozone, Gasoline Vapor Proof, Waterproof.

Item #	VINYL FOAM (PVC)			URETHANE			NEOPRENE				
	8123	8124	8125	8126	8127	8128	8129	8130	8131	8261	8151
<b>Model</b>	PVC 1812	PVC 1434	PVC 3834	UF 312	UF 1434	LF 3834	BN 1812	BN 1434	BN 3834	BN 31634	BN 51634
<b>Length</b>	50'/RL	50'/RL	25'/RL	50'/RL	50'/RL	25'/RL	50'/RL	50'/RL	25'/RL	50'/RL	50'/RL
<b>Thickness x Width</b>	1/8" x 1/2"	1/4" x 3/4"	3/8" x 3/4"	3/16" x 1/2"	1/4" x 3/4"	3/8" x 3/4"	1/8" x 1/2"	1/4" x 3/4"	3/8" x 3/4"	3/16" x 3/4"	5/16" x 3/4"
	Packed 20 Rolls Per Carton			Packed 20 Rolls Per Carton			Packed 20 Rolls Per Carton				

# PIANO HINGES

HP116  
HP112  
HP23



HPH116  
HPH112

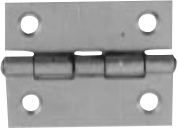


PIANO HINGES				
ITEM#	MODEL	SIZE	DESCRIPTION	
8117	HP116	1-1/16" x 3'	Piano hinge, no holes, plain steel	
8118	HP112	1-1/2" x 3'		
8119	HP23	2" x 3'		
8120	HPH116	1-1/16" x 3'	Piano hinge, with holes, zinc plated	
8121	HPH112	1-1/2" x 3'		

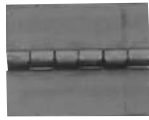
Packed 25 Per Carton - Special sizes available upon request

# BUTT HINGES / 'T' HINGES

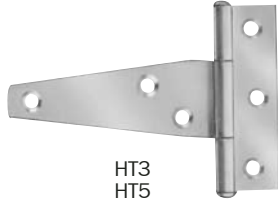
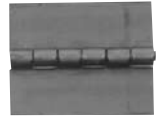
HH2  
HH3



HL2  
HL3



HZ2  
HZ3

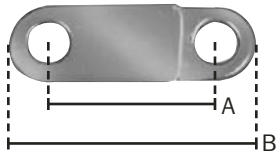


HT3  
HT5

BUTT HINGES/ 'T' HINGES				
ITEM#	MODEL	SIZE	DESCRIPTION	FINISH
8109	HH2	2" x 1 - 9/16"	Light, narrow butt hinge, fast pin, w/ screw holes.	Zinc plated
8110	HH3	3" X 2"		
8111	HL2	2" x 1 - 9/16"	Light, narrow butt hinge, fast pin, w/out screw holes.	Unplated Steel
8112	HL3	3" x 2"		
8115	HT3	3"	Light 'T' hinge fast pin	Zinc plated
8116	HT5	5"		
8205	HZ2	2" x 1 -1/2"	Light, narrow butt hinge, fast pin, w/out screw holes.	Zinc plated
8206	HZ3	3" x 2"		Zinc plated

Packed 24 Per Carton - Special sizes available upon request

# FIRE DAMPER HARDWARE



FLH1516

All fusible links are listed by Underwriter's Laboratories, Inc.

FIRE DAMPER HARDWARE				
ITEM#	MODEL	DESCRIPTION	DIM. A	DIM. B
2032	FLS39	temperature rating 165° 10 pound load	1"	1-1/2"
2033	FL43	temperature rating 165° 30 pound load	1-3/4"	2-9/16"
2034	FL41	temperature rating 212° 30 pound load	1-3/4"	2-9/16"
2035	FL42	temperature rating 386° 30 pound load	1-3/4"	2-9/16"

Packed 100 Per Carton

2199	FLH1516	Fusible link hook		
------	---------	-------------------	--	--

Packed 1000 Per Carton

# HANGING STRAP

Duro Dyne provides Hanging Strap fabrics that are waterproof, grease, oil & acid resistant, and have low smoke & flame development.

VDS200



HANGING STRAP		
ITEM#	MODEL	SIZE
10190	VDS200	1-1/2" x 200'
10179	SVDS300	1-1/2" x 300'
10191	VDS3-200B	3" x 200'
10180	NS300	1-3/4" x 300'

<b>FLAME SPREAD &amp; SMOKE DEVELOPMENT:</b>	NFPA Class A* UBC Class 1*
<b>TENSILE STRENGTH:</b>	Warp-70 lbs./In. Fill-70 lbs./In
<b>HEAT RESISTANCE:</b>	200° F
<b>TEAR STRENGTH:</b>	Warp- 8 lbs./In. Fill-11 lbs./In
<b>FABRIC:</b>	Black vinyl coated polyester fill
<b>TOTAL FABRIC THICKNESS:</b>	.022" Approx.
<b>QUANTITY PER CARTON:</b>	10 rolls (Conveniently packaged in a dispenser box with cutting blade)

\*Product Meets NFPA Class A and UBC Class 1 characteristics of flame spread less than 25 and smoke development less than 50 when utilizing test method ASTM E-84.



# DYN-O-TIES™

Whenever your job calls for securing round flexible duct to outlets, pipes or fittings, you can do the job better, faster, and at a lower cost using **DYN-O-TIES™**, flexible duct ties.

No tapes, no screws, no clamps. Position the flexible duct and slip a **DYN-O-TIE** around the flexible duct over the joint. Draw the **DYN-O-TIE** tight with our ratchet action hand tool. A push with the thumb completes the job by clipping off the excess nylon tab for the neatest and most secure connection you could want. Duro Dyne **UV DYN-O-TIES** are made to resist Ultraviolet rays and adverse weather conditions when used in outdoor applications.

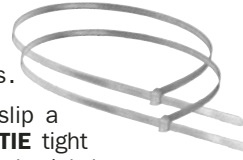
**DYN-O-TIES**, when properly installed, provide secure, self-extinguishing joints when connecting certain types of flexible duct listed by Underwriters Laboratories Inc., class 1.



181B-C 13ER  
MH19757  
For use with UL nonmetallic  
airducts and air connectors



**\*Test Method:** Tie is secured at both ends forming a loop. A weight is suspended from the bottom of loop to determine tensile strength of **DYN-O-TIE** strap.



NYLON	
6/6 V2 – available in five sizes	
Self-extinguishing	
Fungus inert	
Normal service temp. range: – 40° F to 185° F	
<b>Test Results*:</b> Nylon -1.75 lbs.	

NYLON DYN-O-TIES							
ITEM #	MODEL	TYPE	COLOR	LENGTH	MAX. DIA.	PKG.	PKG./CTN
8251	DN24	Nylon	White	24"	6"	25	20
8322	DN36	Nylon	White	36"	11"	50	10
8312	DNC36	Nylon	White	36"	11"	100	5
8323	DN48	Nylon	White	48"	14"	50	10
8262	DNX60	Nylon	White	60"	18"	50	10
7002	UVDN48	Nylon	Black	48"	14"	50	10
7003	UVDN36	Nylon	Black	36"	11"	50	10

All materials shipped in master cartons of 500 pieces.

## DYN-O-TIE GUN INSTALLATION TOOL

The DIT-2 gun is light weight and commonly used to install most makes of nylon duct ties.

DIT-2

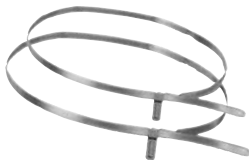


DYN-O-TIE GUN		
ITEM #	MODEL	DESCRIPTION
8229	DIT2	For use with nylon

# STAINLESS STEEL DYN-O-TIES

For those jobs requiring steel connections, Duro Dyne has designed a new stainless steel **DYN-O-TIE**. The same basic installation process applies when using the **DIT-1SS** installation tool. The DIT-1SS gun with a specially designed nose piece is designed to install Duro Dyne type DT-34 stainless steel duct ties.

STAINLESS STEEL	
430 stainless steel	
.020" x .3125 x 34" long	
<b>Test Results*:</b> Stainless Steel – 500 lbs	



DIT-1SS



STAINLESS STEEL DYN-O-TIES							
ITEM #	MODEL	TYPE	COLOR	LENGTH	MAX. DIA.	PKG.	PKG./CTN
8269	DTC34	Stainless	Silver	34"	9"	100	5

All materials shipped in master cartons of 500 pieces.

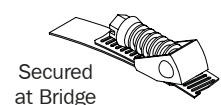
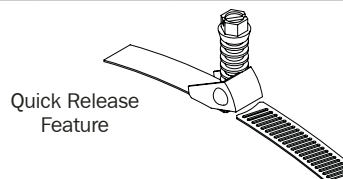
DYN-O-TIE GUN		
ITEM #	MODEL	DESCRIPTION
8263	DIT1SS	For use with stainless steel

# STAINLESS STEEL DYNA-CLAMPS™

The Dyna-Clamp is an efficient way to secure flex or rigid round duct connections. The stainless steel band can withstand up to 60 PSI, as well as extreme temperature conditions. The band is secured in place at the bridge by a slotted hex head screw. This zinc plated carbon steel screw can be flipped up away from the band to offer a quick release when adjustments are needed. Dyna-Clamps are available in stock sizes ranging from a 7" diameter to 16". Two or more clamps can also be connected together to accommodate duct diameters over 16".

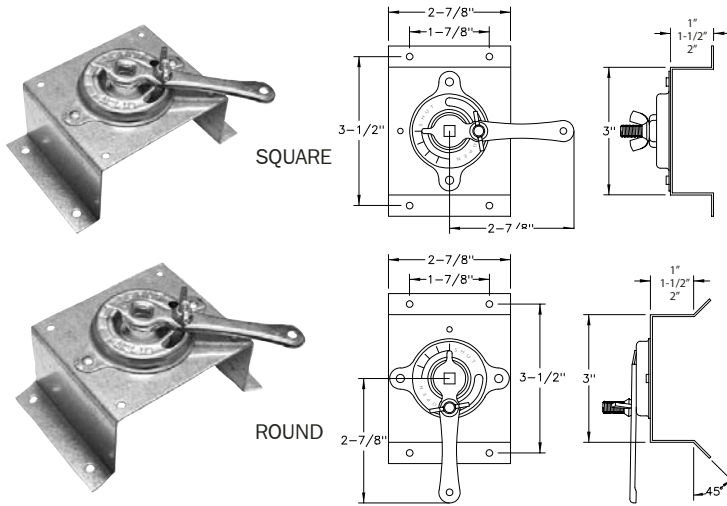


DYNA-CLAMPS				
ITEM #	MODEL	MAXIMUM DIAMETER	MINIMUM DIAMETER	OVERALL LENGTH
7012	DT7WD	7"	1.75"	22"
7007	DT8WD	8"	1.75"	28 1/4"
7008	DT10WD	10"	1.75"	33"
7009	DT12WD	12"	1.75"	40"
7010	DT15WD	15"	1.75"	48 3/4"
7011	DT16WD	16"	1.75"	52 1/2"



# STAINLESS STEEL PARTS

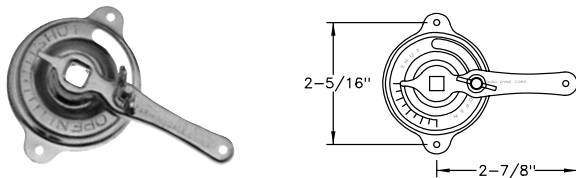
## STANDOFF 3/8" DIAL REGULATOR



300 SERIES FOR SQUARE DUCT			
ITEM#	MODEL	SHAFT SIZE	STAND HEIGHT
7290	KR3SS-100	3/8" sq.	1"
7292	KR3SS-150	3/8" sq.	1-1/2"
7294	KR3SS-200	3/8" sq.	2"
Packed 10 Per Carton.			

300 SERIES FOR ROUND DUCT			
ITEM#	MODEL	SHAFT SIZE	STAND HEIGHT
7291	KR3SS-100R	3/8" sq.	1"
7293	KR3SS-150R	3/8" sq.	1-1/2"
7295	KR3SS-200R	3/8" sq.	2"
Packed 10 Per Carton.			

## 3/8" DIAL REGULATOR



3/8" DIAL REGULATOR		
ITEM#	MODEL	DESCRIPTION
8272	KR3SS	3/8" Stainless Steel dial regulator only
Packed 10 Per Carton		

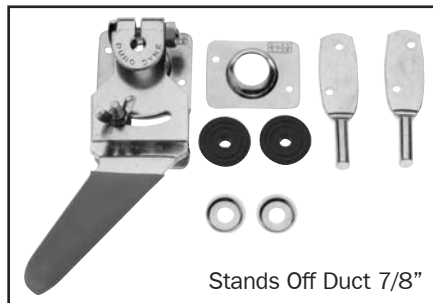
## SPEC SEAL™ REGULATOR

The Spec-Seal Regulator utilizes a special rubber seal for applications up to 500°F constant temperature. It eliminates leakage and rattle via the Shaft Loc Mechanism in high pressure systems. The handle's unique design utilizes a highly-visible orange plastic cover showing the damper position. This unit, is made to accommodate 1/2" square bearing shafts. Individual parts available upon request.

### Each Set Consists of:

- Regulator
- 2 Rubber Seals
- 2 Metal Washers
- 2 End Bearings
- End Bearing Support

SPEC-SEAL™		
ITEM#	MODEL	BEARING TYPE
8301	AL12SS	1/2" Square Stainless
Quantity per carton: 10 sets		



## ACCESS DOORS LOCKING DEVICE



ACCESS DOORS LOCKING DEVICES			
ITEM#	MODEL	DESCRIPTION	QTY. PER CTN.
8396	CMLK-SS	Stainless Steel Cam-Lock	100

# STAINLESS STEEL PARTS (CONTINUED)

## END BEARINGS

(PACKED 10 PER CARTON)

KP9XL-SS



### 3/8" SQUARE

ITEM#	MODEL	APPROX. DIM.
7393	KP9XL-SS	3/8" x 3-1/8"

KP10S-SS



### 1/2" SQUARE

ITEM#	MODEL	APPROX. DIM.
7395	KP10S-SS	1/2" x 1-1/4"

KP10R-SS



### 1/2" ROUND

ITEM#	MODEL	APPROX. DIM.
7394	KP10R-SS	1/2" x 1-1/4"

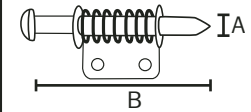
KP7LSS



### SPRING LOC

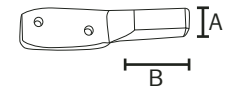
ITEM#	MODEL	APPROX. DIM.
7396	KP7LSS	3/8" x 3-3/4"

### Spring Loc Example KP7LSS #7396:



ITEM#	APPROX. DIM.
7396	3/8"(A) x 3-3/4"(B)

### Square Example KP10S-SS #7395:

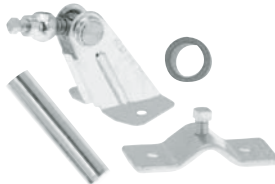


ITEM#	APPROX. DIM.
7395	1/2"(A) x 1-1/4"(B)

## MULTI-BLADE DAMPER KITS AND PARTS

### BLADE KITS

BKP60SS



### BLADE KITS

ITEM#	MODEL	DESCRIPTION
2056	BKP60SS	Stainless BK-2 Kit Neva Bind
2057	BKP61SS	Stainless BK-2/Pivot/ Screw Not Neva Bind

### BLADE BRACKETS

BKP52SS



### HIGH BRACKETS

ITEM#	MODEL	DESCRIPTION
2049	BKP52SS	Stainless BKP-22
2047	BKP50SS	Stainless BKP-25
2048	BKP51SS	Stainless Hi Bracket Only

BKP54SS



BKP62SS



### LO BRACKETS

ITEM#	MODEL	DESCRIPTION
2058	BKP54SS	Stainless Lo Bracket/ Pivot/Screw
2050	BKP53SS	Stainless Lo Bracket Only
2062	BKP62SS	Stainless Lo Bracket/ Pivot/Lollypop

### STRAPS

BKP56SS



### STRAP & SET SCREW

ITEM#	MODEL	DESCRIPTION
2052	BKP56SS	Stainless Strap/Screw

### PIVOT & SET SCREW

BKP58SS



BKP66SS



### PIVOT

ITEM#	MODEL	DESCRIPTION
2054	BKP58SS	1/4-20 Stainless Pivot Half Tapped
2065	BKP66SS	1/4-20 Stainless Pivot Fully Tapped

BKP59SS



### SET SCREW

ITEM#	MODEL	DESCRIPTION
2055	BKP59SS	1/4-20x1/2" Set Screw

### ROD CLIPS

KP25SS



### ROD CLIPS (U-BOLTS)

ITEM#	MODEL	DESCRIPTION
7397	KP25SS	3/8" Stainless Damper Rod Clips w/ Nyloc Nut

### STANDARD PINS

BKP63SS



### STANDARD PINS

ITEM#	MODEL	DESCRIPTION
2051	BKP55SS	Stainless 1/2" diameter pin 2-1/2" long
2068	BKP63SS	Stainless 1/2" diameter pin 6" long

### MILLED & DRILLED PINS

BKP47SS



### MILLED & DRILLED PINS

ITEM#	MODEL	DESCRIPTION
2083	BKP47SS	Stainless 1/2" diameter pin 6" long milled & drilled

### BUSHINGS

BKP49SS



### BUSHINGS

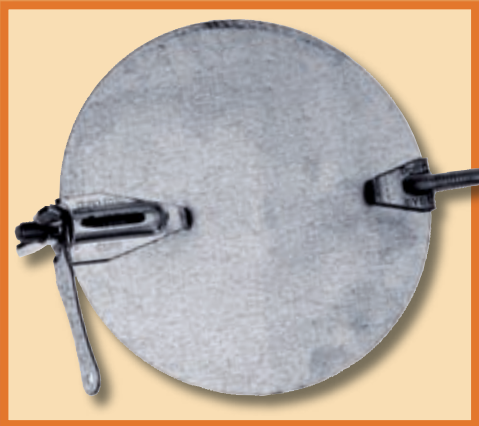
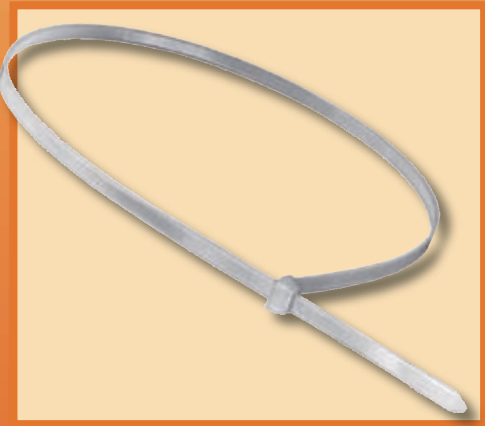
ITEM#	MODEL	DESCRIPTION
2085	BKP49SS	Stainless 1/2" Bushing

### NUTS & BOLTS

### NUTS & BOLTS

ITEM#	MODEL	DESCRIPTION
2080	BKP44SS	Stainless 1/4-20x1 Hex Head Bolt
2081	BKP45SS	Stainless 1/4-20 Hex Nut
2082	BKP46SS	Stainless 1/4" Lock Washer

Please Visit Our Website  
**www.durodyne.com**  
for the most current product information.



Duro Dyne Air Regulation Products are  
manufactured in the U.S.A.

**DURO  
DYNE**

© Duro Dyne Corp.  
Printed in USA 7/12  
BB008402

Duro Dyne East Division, Bay Shore, NY	631-249-9000	Fax: 631-249-8346
Duro Dyne Midwest Division, Fairfield, OH	513-870-6000	Fax: 513-870-6005
Duro Dyne West Division, Santa Fe Springs, CA	562-926-1774	Fax: 562-926-5778
Duro Dyne Canada, Lachine, Quebec, Canada	514-422-9760	Fax: 514-636-0328

www.durodyne.com E-mail: durodyne@durodyne.com