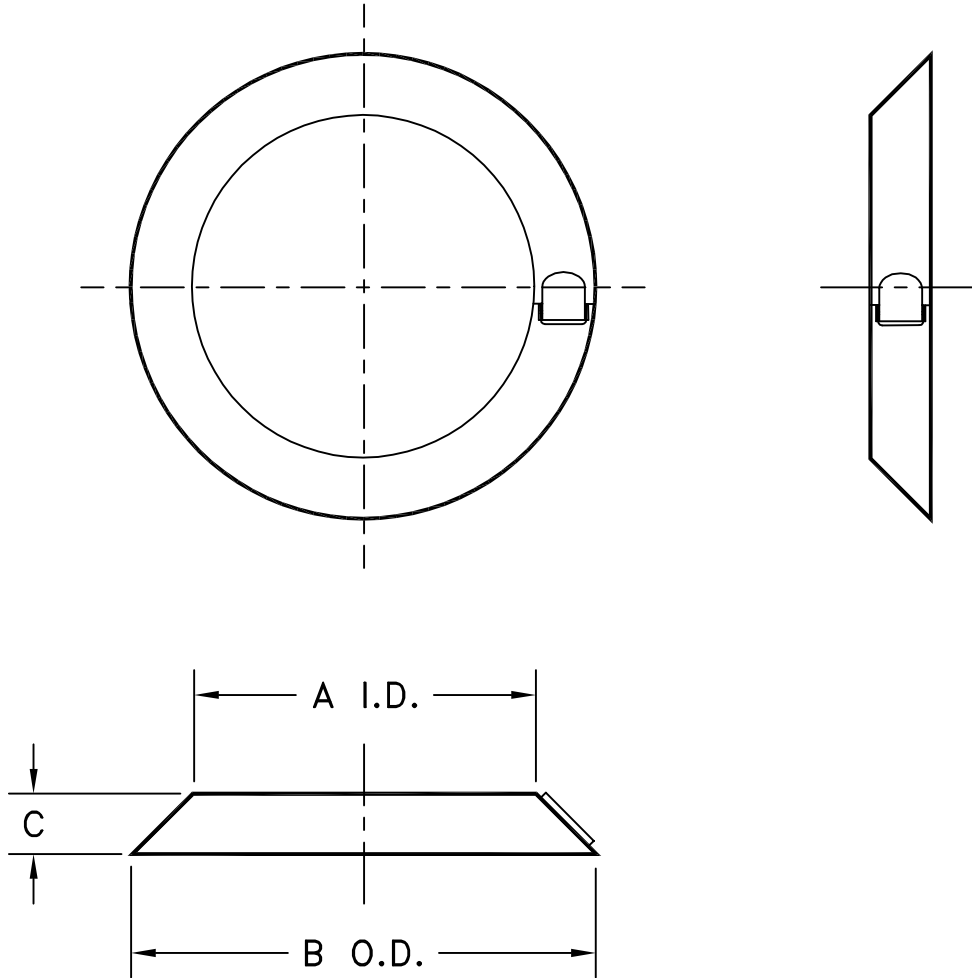


- MATERIAL:
- .018 THICK, G-90 GALVANIZED STEEL



PART NO.	A I.D.	B O.D.	C
14SC	15"	18-7/8"	1-15/16"
16SC	17"	21-1/4"	2-1/8"
18SC	19"	23-3/4"	2-5/16"
20SC	21"	25-15/16"	2-1/2"
22SC	23"	28-5/16"	2-11/16"
24SC	25"	30-11/16"	2-7/8"
26SC	27"	33-1/16"	3-1/16"
28SC	29"	35-1/16"	3-1/4"
30SC	31"	37-1/16"	3-7/16"

JOB NAME: _____	SUBMITTED BY: _____	DATE: 10/25/06	SD-3146
LOCATION: _____		Type B Gas Vent	
ARCHITECT: _____		Adjustable Storm Collar	
ENGINEER: _____		SC	
CONTRACTOR: _____		14" - 30" Diameter	