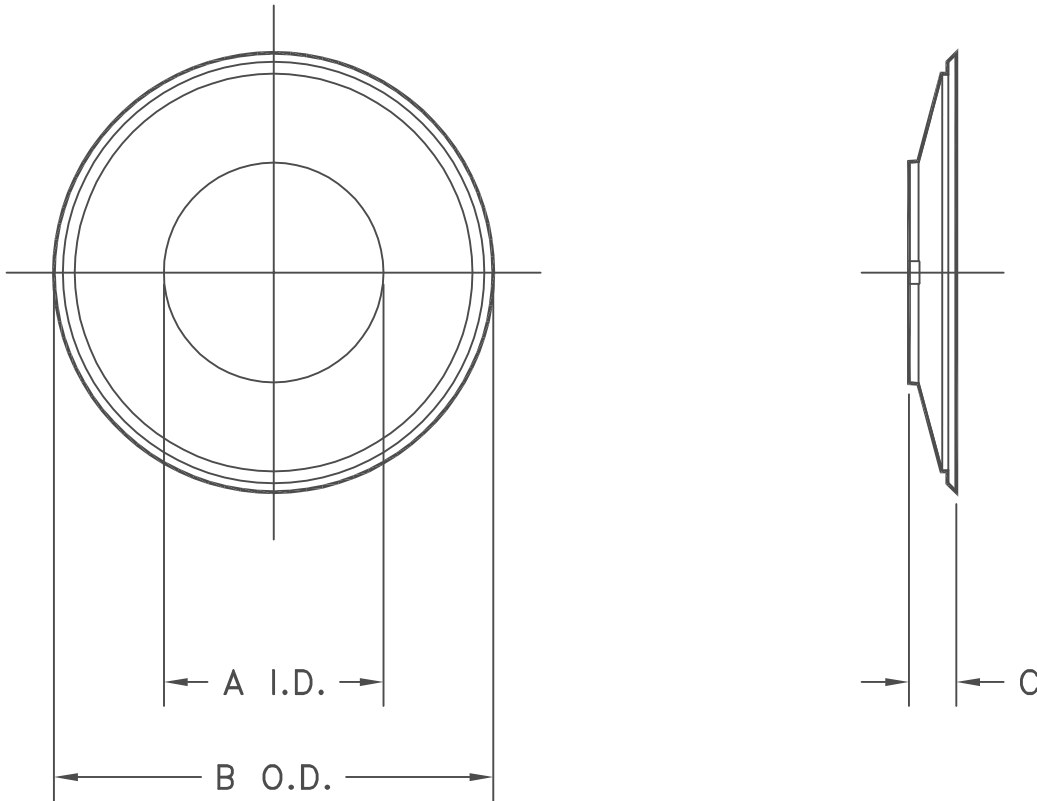


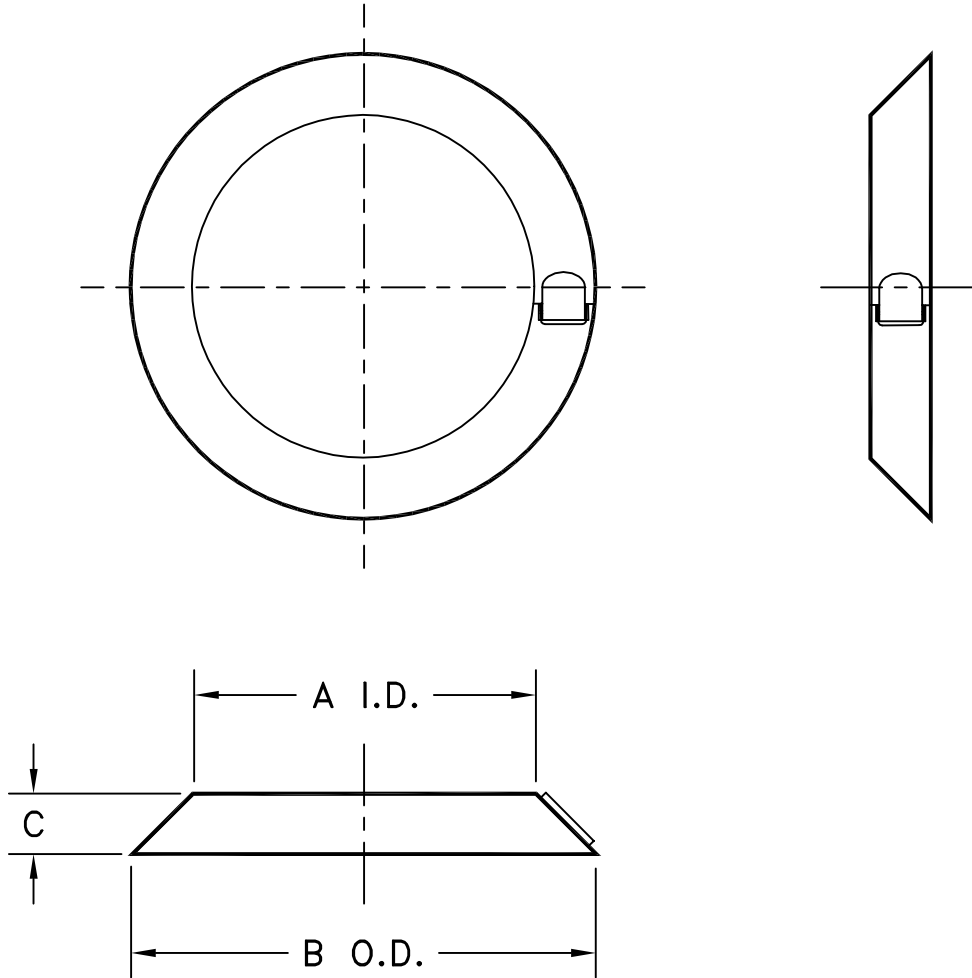
• MATERIAL:
 - .018 THICK, G-90 GALVANIZED STEEL



CAT. NO.	A I.D.	B O.D.	C
3RS	3-1/2	6-5/8	1-7/16
4RS	4-1/2	7-5/8	1-1/2
5RS	5-1/2	8-5/8	1-5/8
6RS	6-1/2	9-5/8	1-1/2

JOB NAME: _____	SUBMITTED BY: _____	DATE: 02/03/2014	SD-3119
LOCATION: _____	Type B Gas Vent Storm Collar RS 3" - 6" Diameter		
ARCHITECT: _____			
ENGINEER: _____			
CONTRACTOR: _____			

- MATERIAL:
- .018 THICK, G-90 GALVANIZED STEEL



CAT. NO.	A I.D.	B O.D.	C
7RS	8	10-7/8	1-7/16
8RS	9	11-7/8	1-7/16
10RS	11	14-1/2	1-3/4
12RS	13	16-1/2	1-3/4

JOB NAME: _____	SUBMITTED BY: _____	DATE: 10/25/06	SD-3120
LOCATION: _____		Type B Gas Vent Storm Collar RS 7" - 12" Diameter	
ARCHITECT: _____			
ENGINEER: _____			
CONTRACTOR: _____			